



Industrial Bar Code Printers

CL6XXe Printer

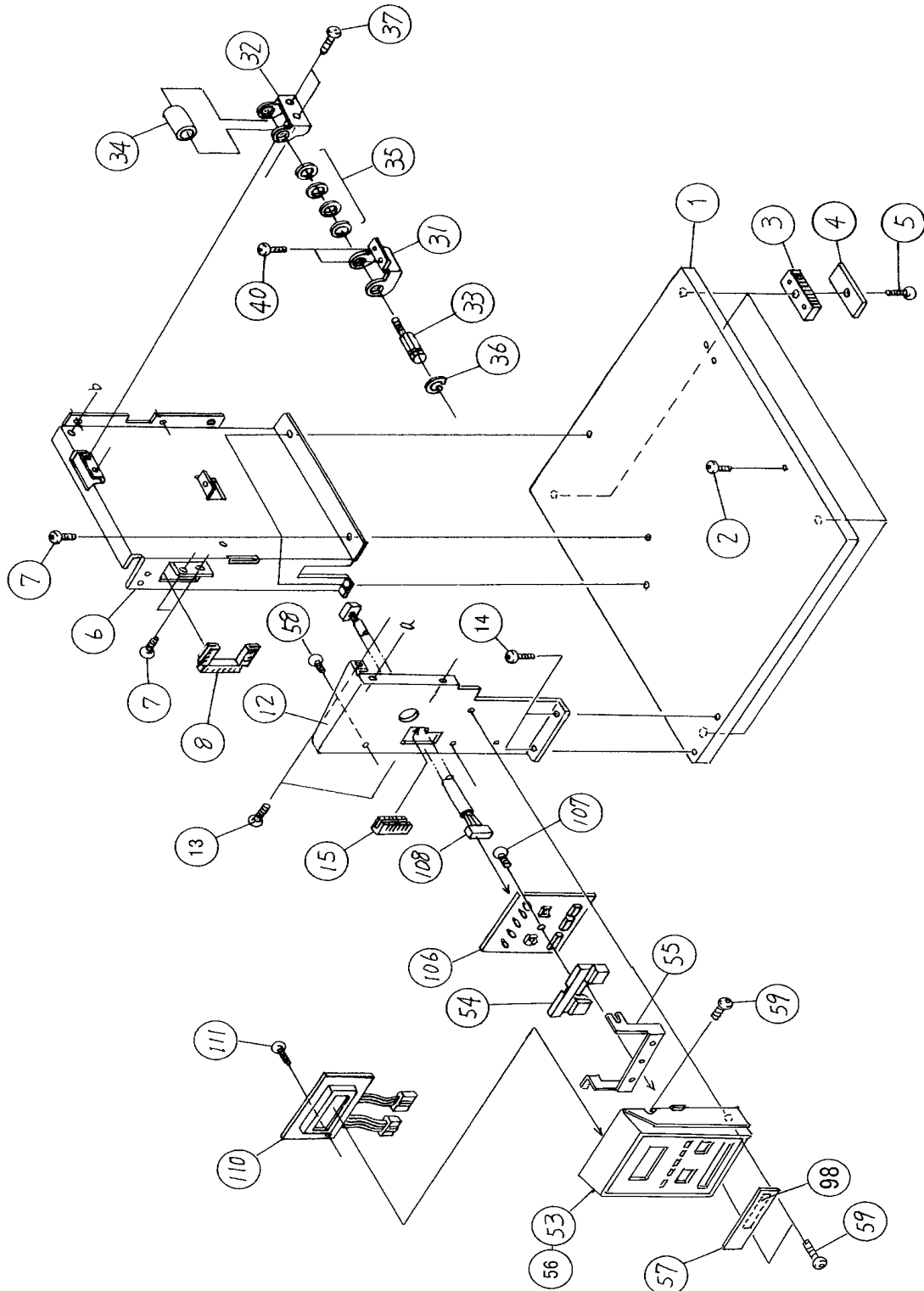


Parts List

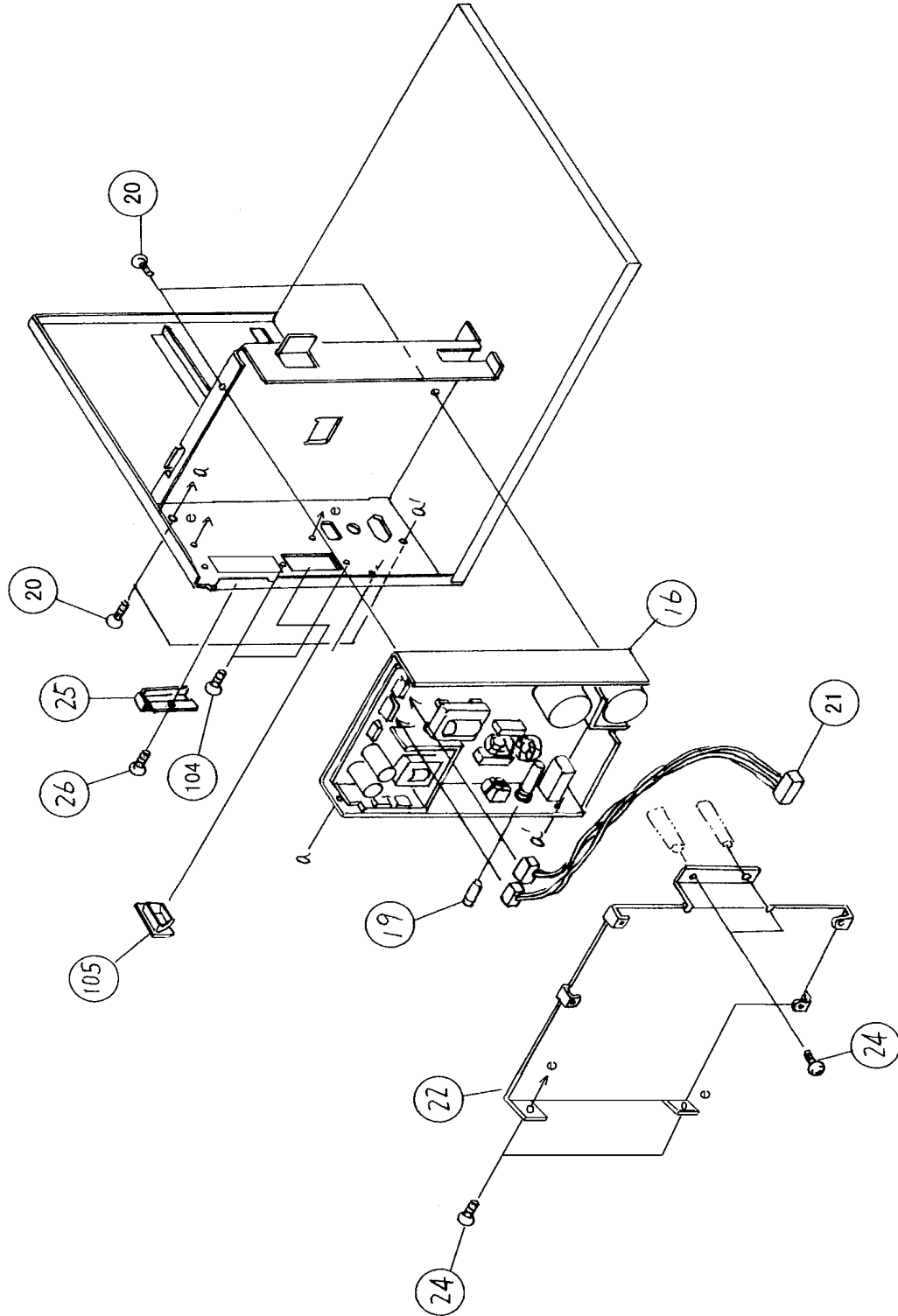
Table of Contents

CL6XXe Parts List	Page
Base Cover Assembly	3
Frame Assembly	12
Print Head Assembly	19
Ribbon Assembly	23
Feed Roller Assembly	28
Main PCB Assembly	31
Interface Option	32
Dispenser Assembly Option	33
Cutter Assembly Option	40
PCMCIA Memory Option	44

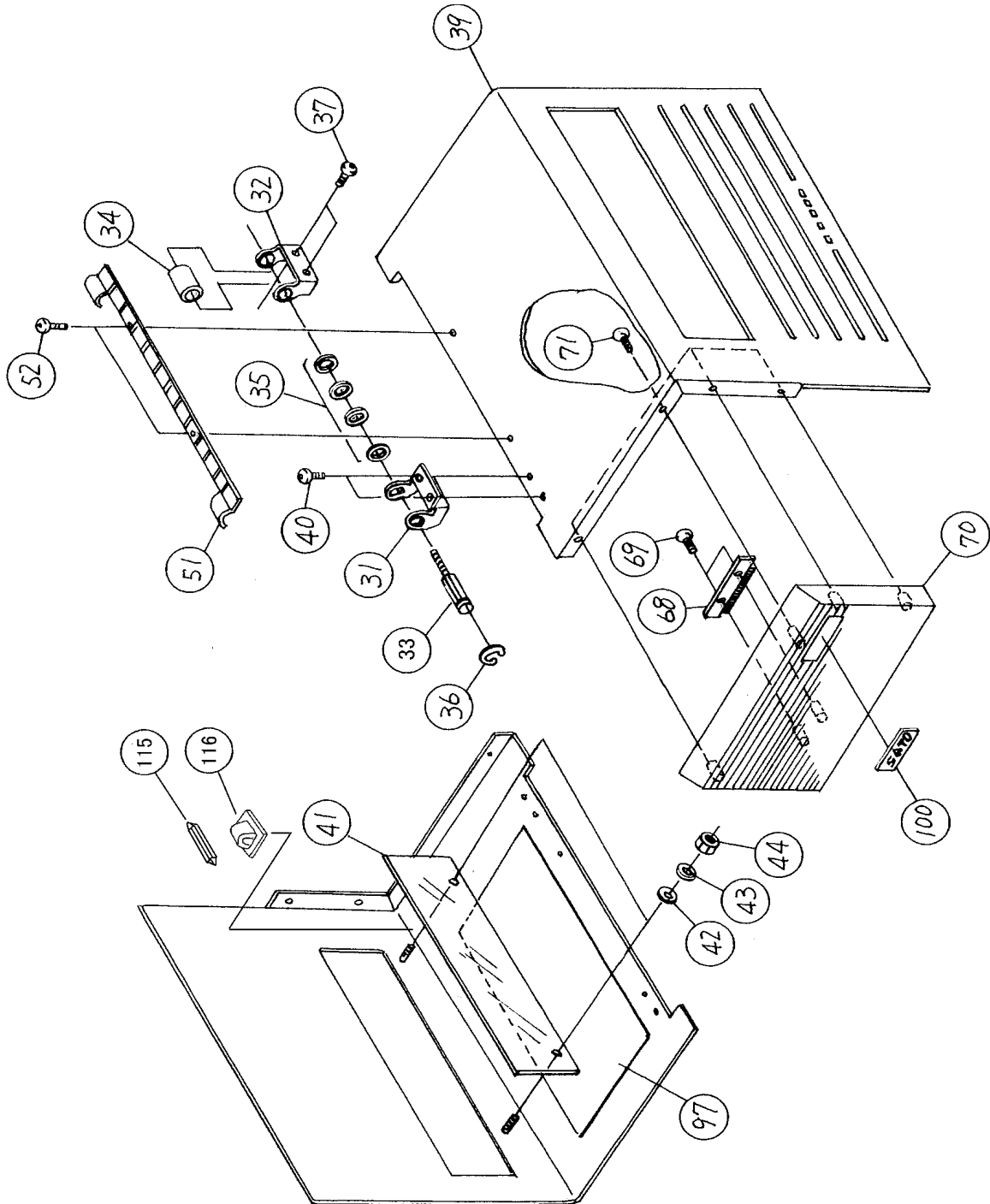
Base Cover Assembly



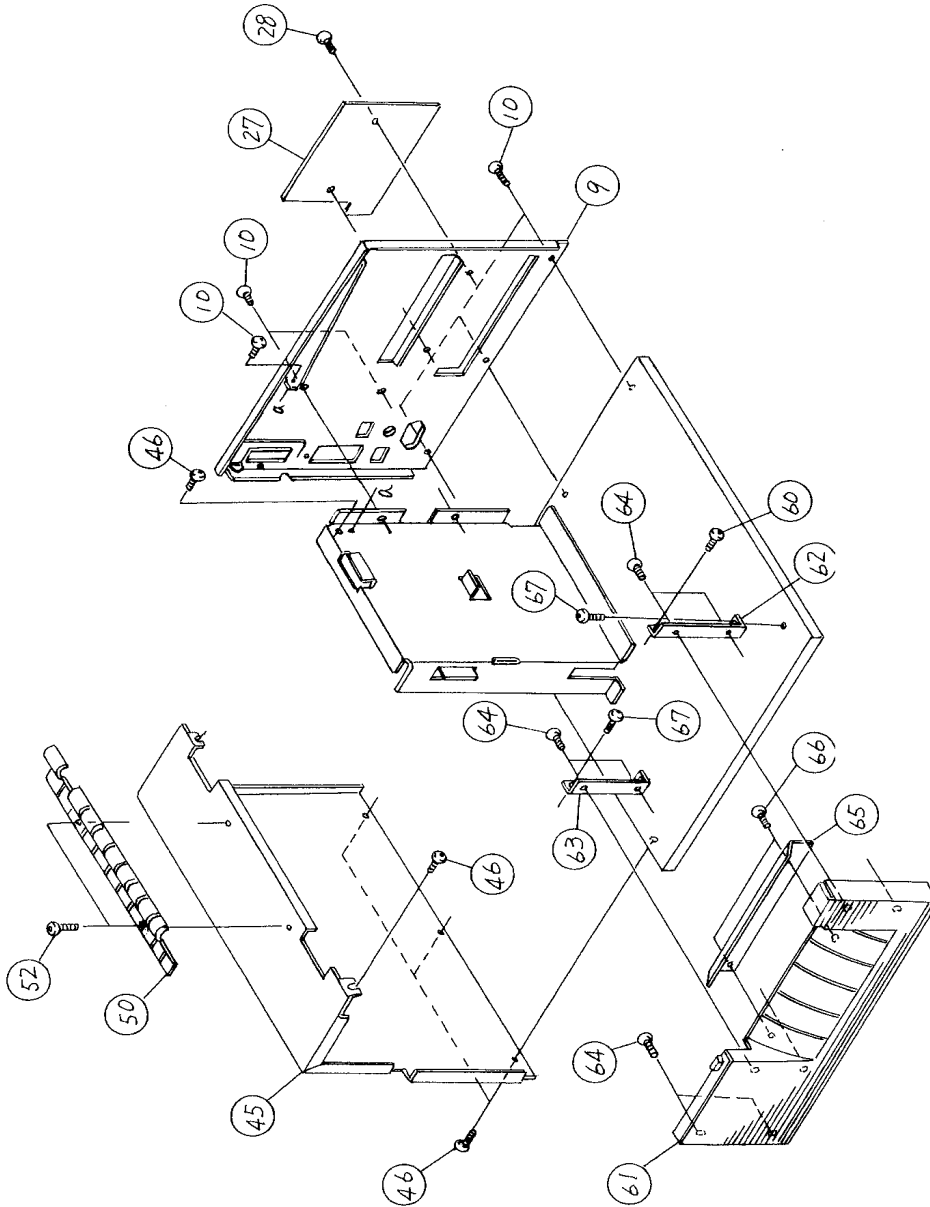
Base Cover Assembly



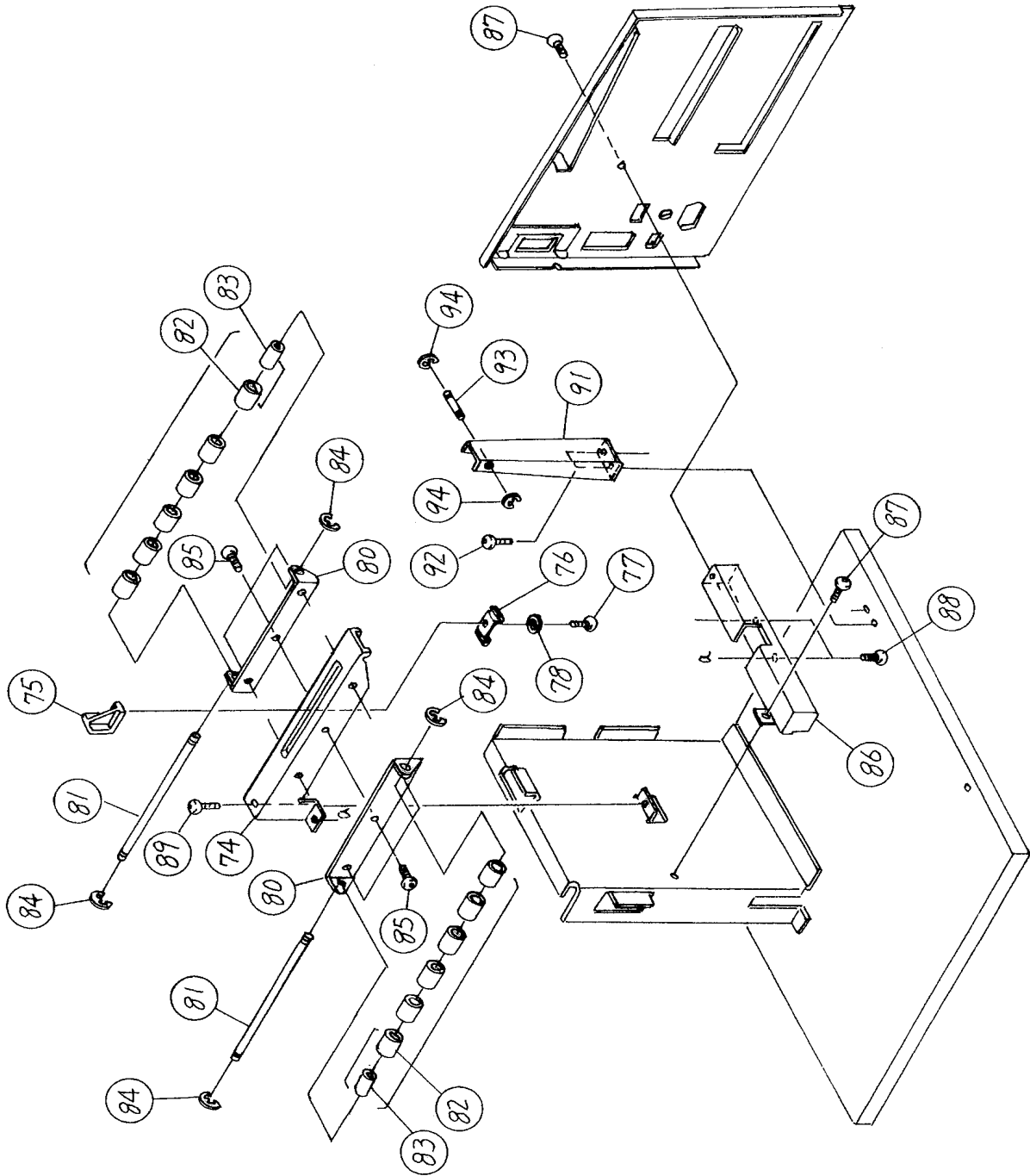
Base Cover Assembly



Base Cover Assembly



Base Cover Assembly



Base Cover Assembly

NO.	CODE	DESCRIPTION	QTY
1	PH1720101	Base Frame	1
2	MH4300621	S-tight screw	1
3	PE6721100	Foot	4
4	PV2720100	Foot rubber	4
5	MD4301021	Pan head screw	4
6	PH1720200	Center frame	1
7	MD4400821	Pan head screw	5
8	PV9720200	Bush	1
9	PZ0725001	Cover Rear	1
10	MD4300821	Pan head screw	6
12	PH1720400	Front frame	1
13	MD3401021	Pan head screw	3
14	MD4400821	Pan head screw	2
15	PV9720600	Bush	1
16	KA500821A	Power Supply	1
19	HD100311A	Fuse (6.3A,250V)	1
20	MD4300621	Pan head screw	4
21	RH1727700	Power Supply Cable	1
22	PA1729700	PCB Bracket	1
24	MD4300821	Pan head screw	4
25	PE6771001	Memory card cover	1
26	PB5A20001	Head Screw	1
27	PH1720700	Lid	1
28	MD4300821	Pan head screw	2

Base Cover Assembly

NO.	CODE	DESCRIPTION	QTY
31	PA1722300	Hinge bracket (A)	2
32	PA1722400	Hinge bracket (B)	2
33	PB5720100	Screw	2
34	PB5720200	Screw	2
35	NB5100030	Spring	8
36	ND3120024	E-Ring	2
37	MD4300821	Pan head screw	4
39	PR4720100	Cover RH	1
40	MD4300821	Pan head screw	4
41	PH2720100	Window	1
42	NA1030022	Plain washer	2
43	NB0030022	Spring washer	2
44	MT1300522	Hex nut	2
45	PH1720601	Cover LH	1
46	MD4300821	Pan head screw	5
50	PE6720900	Hinge cover (LH)	1
51	PE6721000	Hinge cover (RH)	1
52	MA7300625	Truss screw	4
53	PR4725000	Key Board Cover (CL608e)	1
54	PE6720800	Switch button	1
55	PA1728600	Plate	1
56	PR4725100	Key Board Cover (CL612e)	1
57	PR4720300	Dip-sw cover	1
58	MH0300821	P tight screw	1
59	MD4301021	Pan head screw	3
60	MD3300521	Pan head screw	1

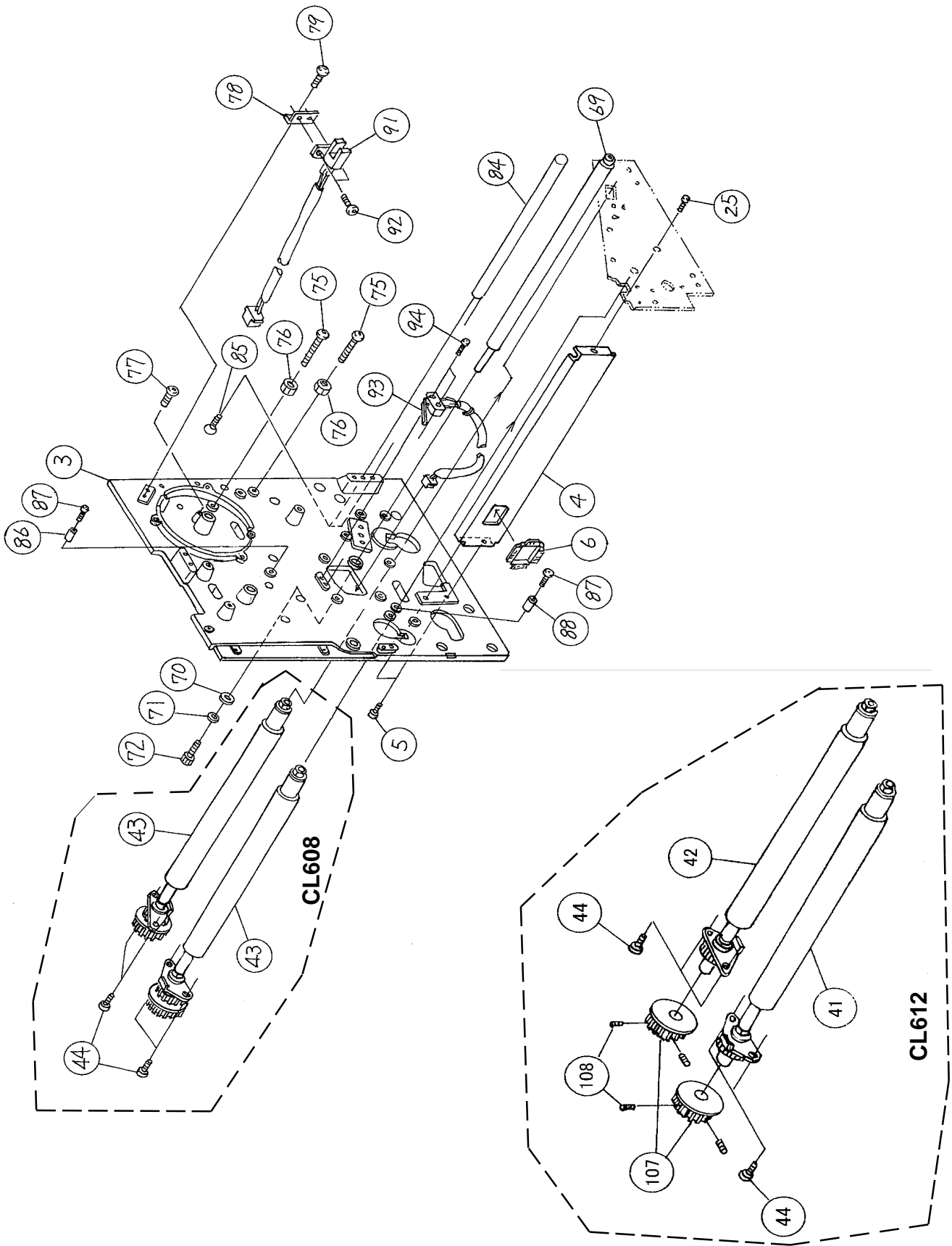
Base Cover Assembly

NO.	CODE	DESCRIPTION	QTY
61	PH0720200	Front cover	1
62	PA1722500	Front cover bracket (A)	1
63	PA1722600	Front cover bracket (B)	1
64	MH0300821	P tight screw	6
65	PA1724000	Tear-off cutter	1
66	MH0300821	P tight screw	2
67	MD4300821	Pan head screw	2
68	PR1340500	Brush	1
69	MH0300821	P tight screw	2
70	PH0720300	Cover RH sub	1
71	MH0300821	P tight screw	4
74	PA1729100	Paper holder	1
75	PE1720300	Label stopper	1
76	PA4520300	Stopper spring	1
77	MH0300821	P tight screw	1
78	NA1030022	Plain washer	1
80	PA1729200	Roller bracket	2
81	PB0723600	Shaft (Unwind)	2
82	PE3720200	Roller	12
83	PE3720500	Roller	12
84	ND0040030	E-Ring	4
85	MD4300821	Pan head screw	6
86	PA1723700	Unwind bracket (A)	1
87	MD4300821	Pan head screw	2
88	MD4300821	Pan head screw	2
89	MD4400821	Pan head screw	1

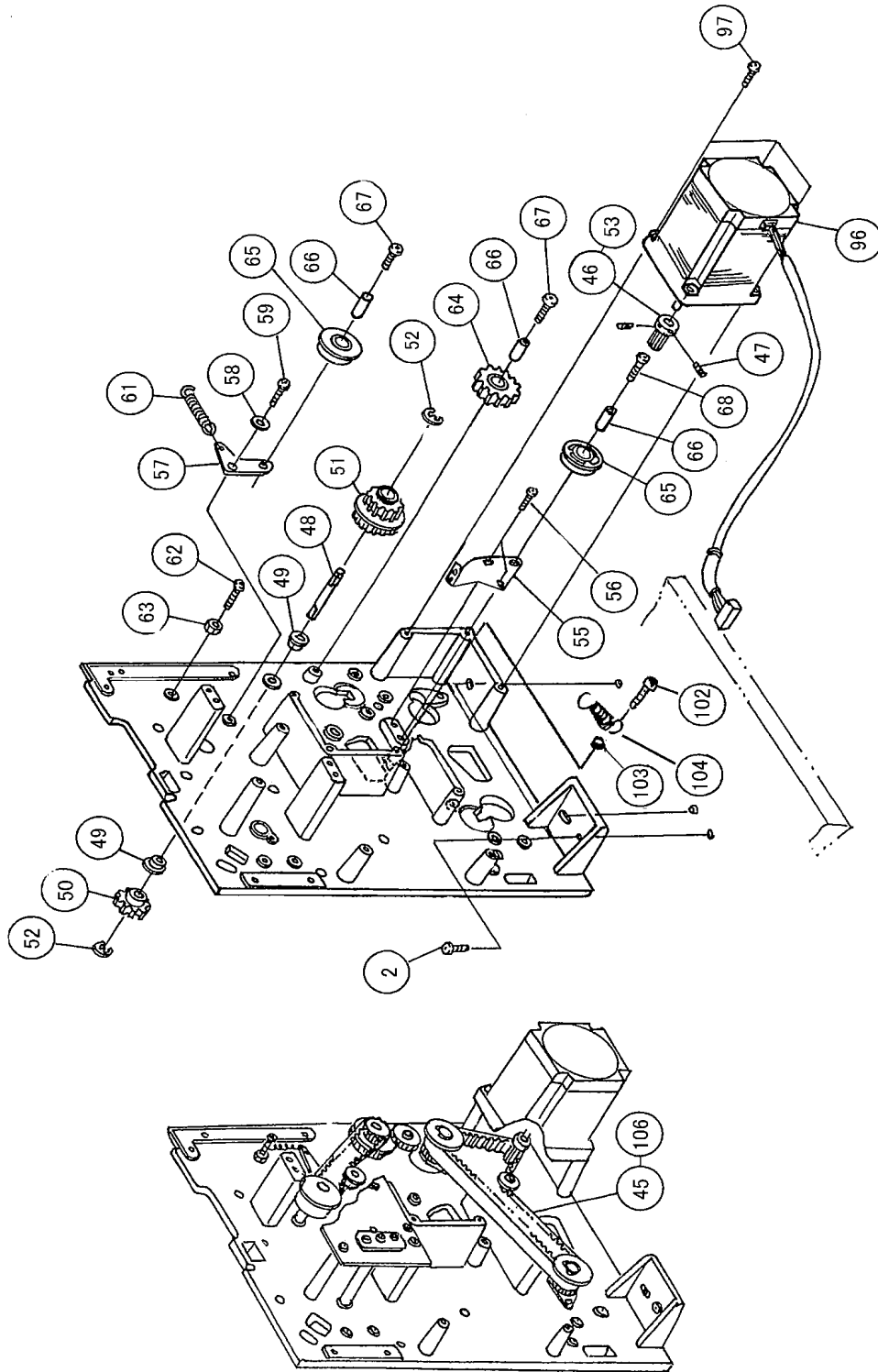
Base Cover Assembly

NO.	CODE	DESCRIPTION	QTY
91	PR3720100	Unwind Bracket (B)	1
92	MD4300821	Pan head screw	2
93	PB0722500	Shaft (unwind)	1
94	ND0030030	E-Ring	2
97	QC6725000	Sticker (Route DIP SW)	1
98	QC6722300	Sticker	1
100	QC6685403	Log Name Plate	1
104	MA0300622	Pan head screw	2
105	JG900411A	Cap	1
106	RJ1721600	KB PCB Set	1
107	MH0300821	P tight screw	1
108	RH1720400	Control Panel	1
110	RH1745700	Cable Assy	1
111	MH0250621	P-tight screw	1
115	PE6A21900	Micro Driver	1
116	JG100551A	CK clamp	1

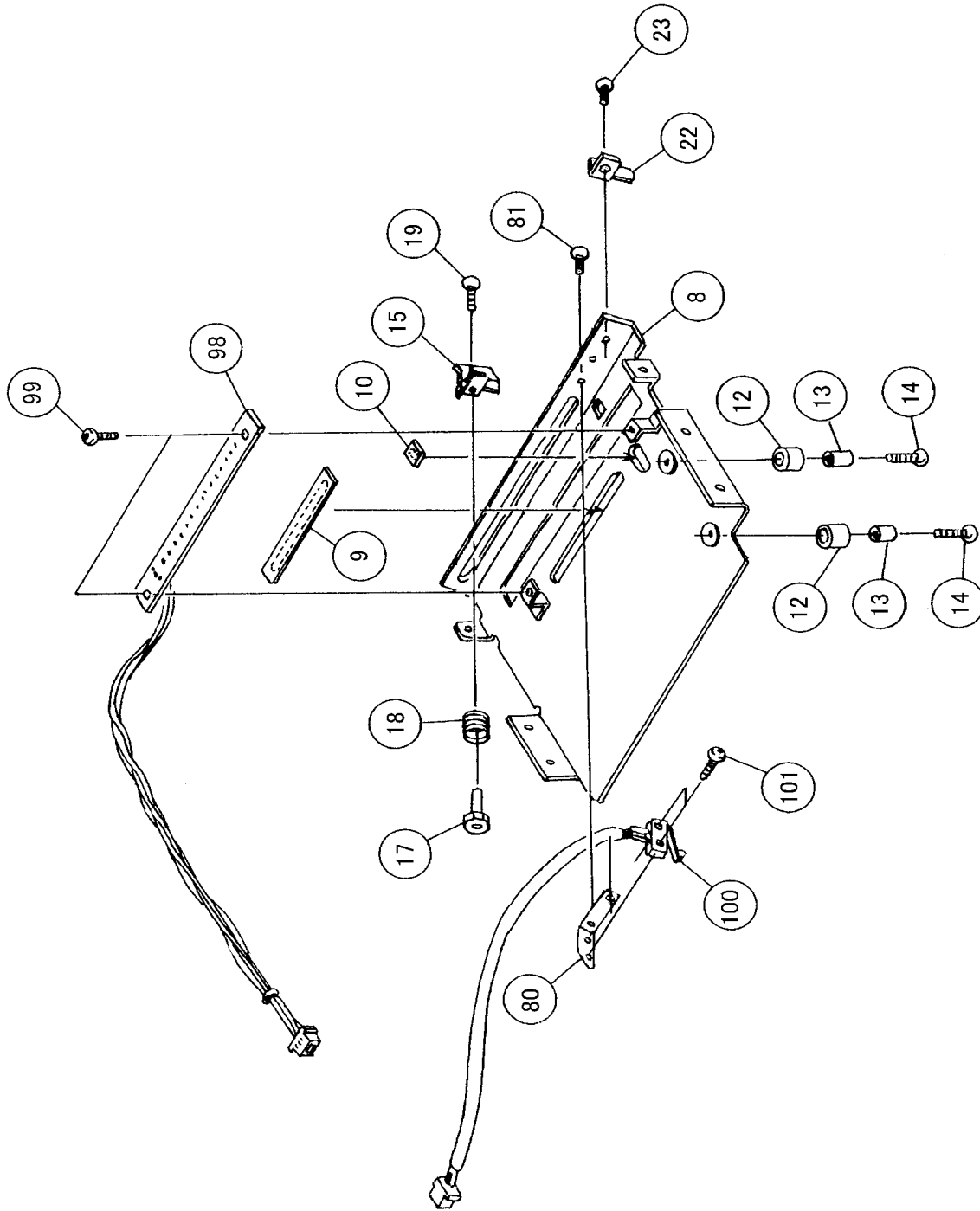
Frame Assembly



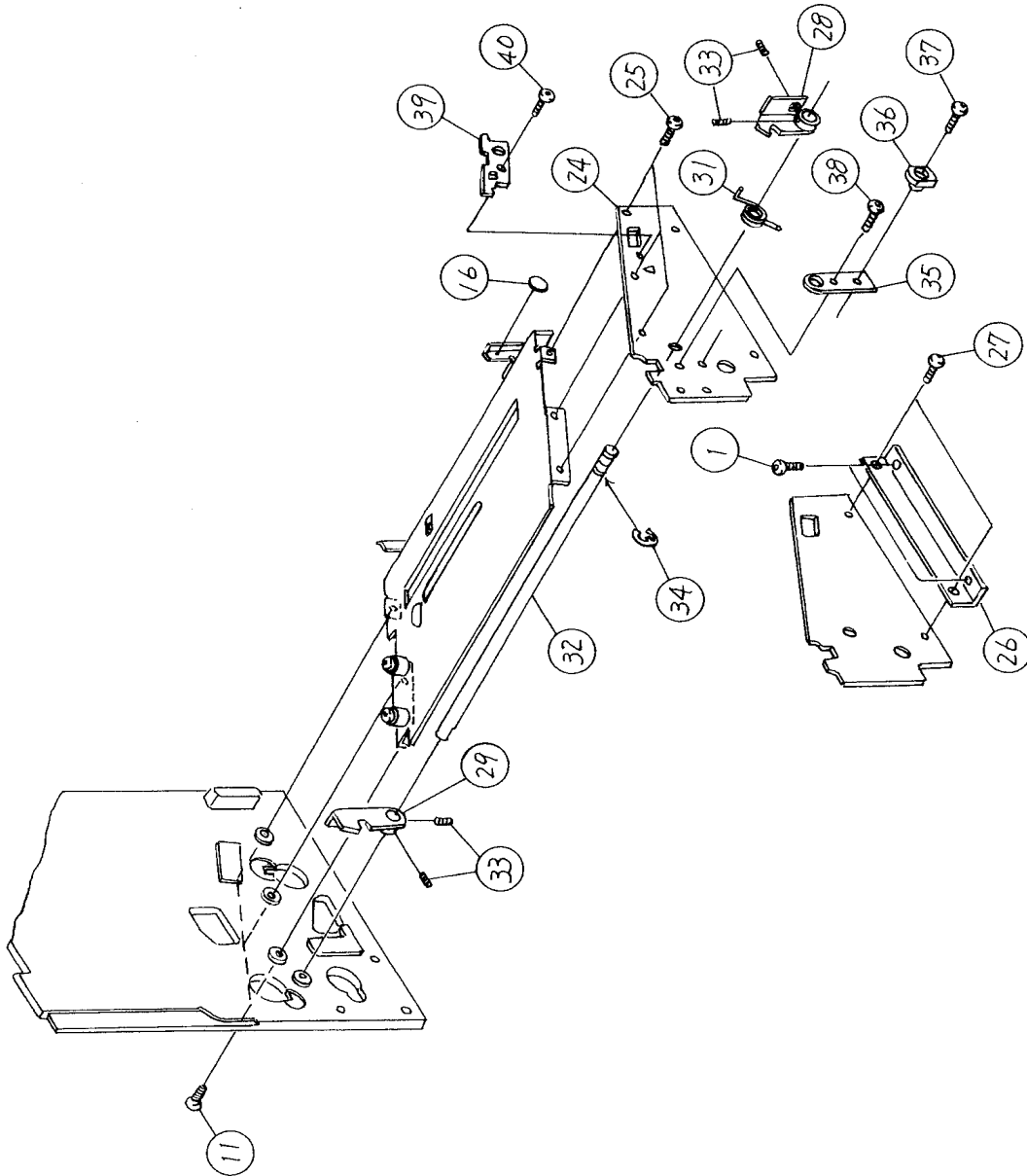
Frame Assembly



Frame Assembly



Frame Assembly



Frame Assembly

NO.	CODE	DESCRIPTION	QTY
1	MD4400821	Pan head screw	2
2	MD4401621	Pan head screw	2
3	PL1720601	Engine Frame	1
4	PA1721600	Support frame (A)	1
5	MD4301422	Pan head screw	2
6	PV9720500	Bush	1
8	PR3720400	Paper guide	1
9	PV9720900	Sensor protector	1
10	PD1720800	Sensor protector	1
11	MD4301422	Pan head screw	3
12	PE3720300	Roller	2
13	PB2740100	Collar	2
14	MD4301021	Pan head screw	2
15	PA1729500	Guide plate (A)	1
16	QC6771800	Sticker(Green)	1
17	PB2721100	Collar	1
18	PC1720700	Spring (Guide)	1
19	MD4301422	Pan head screw	1
22	PA1722900	Guide plate (B)	1
23	MD4300821	Pan head screw	1
24	PA1723000	Side frame	1
25	MD4300821	Pan head screw	4
26	PA1720800	Frame bracket	1
27	MD4400821	Pan head screw	2
28	PR4720400	Latch handle (A)	1
29	PR1720600	Latch handle(B)	1

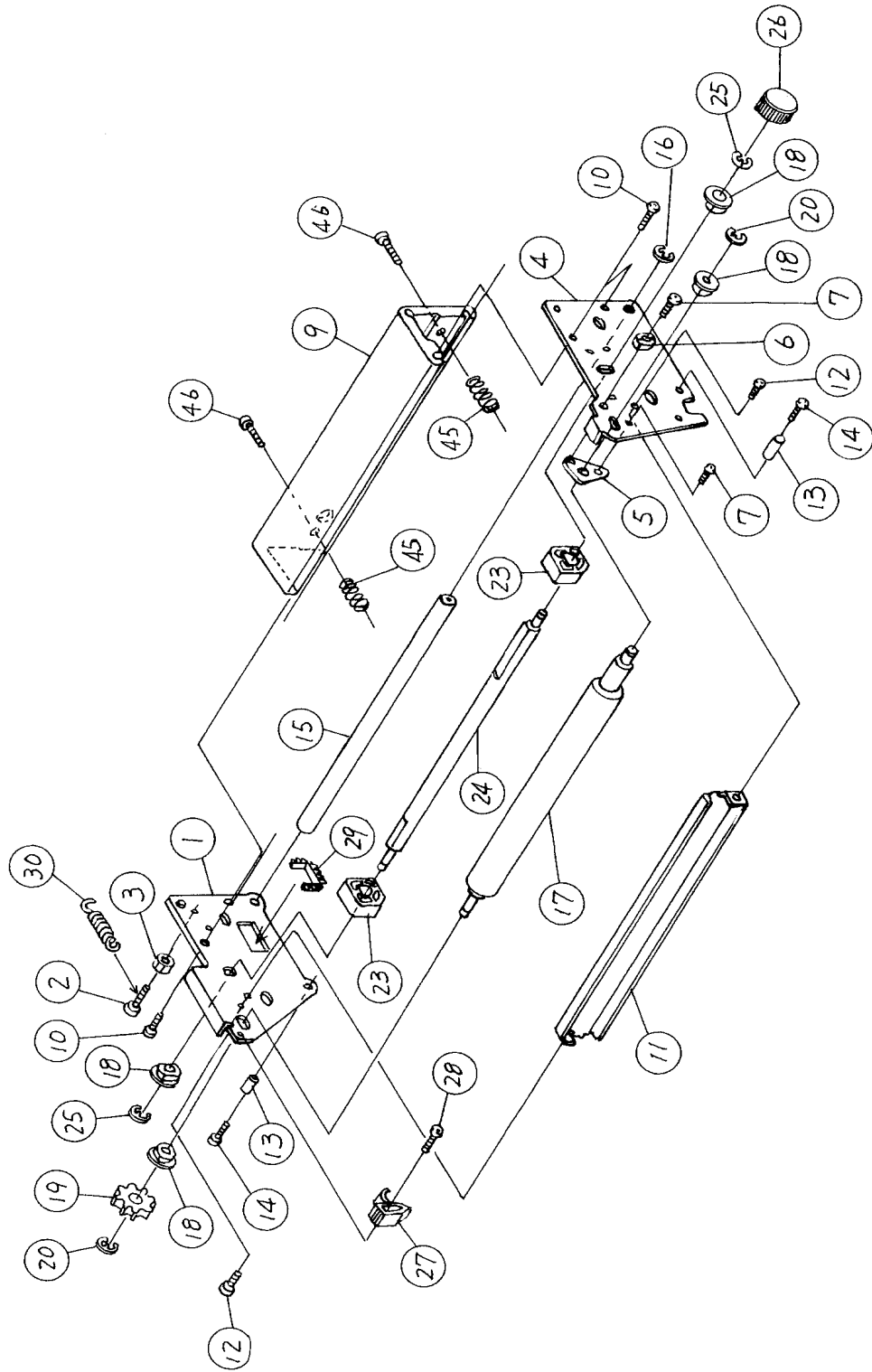
Frame Assembly

NO.	CODE	DESCRIPTION	QTY
31	PC2720100	Spring (latch handle)	1
32	PB0723700	Shaft (latch handle)	1
33	MJ1400524	W-point screw	4
34	ND0050030	E-Ring	1
35	PA1720900	Plate (adjust A)	1
36	PL2720100	Adjust collar	1
37	MD4300821	Pan head screw	1
38	MD4400821	Pan head screw	1
39	PA1721000	Plate (adjust B)	1
40	MD4400821	Pan head screw	1
41	PR7720500	Platen Roller Sub (CL612)	1
42	PR7720600	Feed Roller Sub (CL612)	1
43	PR7720100	Platen Roller Sub (CL608)	2
44	MD4300821	Pan head screw	4
45	PT8180064	Timing belt (CL608)	1
46	PL1720100	Motor pulley (CL608)	1
47	MJ1400524	W-point screw	2
48	PB0720800	Shaft (idle gear)	1
49	PT1112060	Ball supporter	2
50	PE8720100	Gear	1
51	PE8720400	Gear pulley	1
52	ND0040030	E-Ring	2
53	PL1720400	Motor Pulley (CL612)	1
55	PA1729600	Tension bracket	1
56	MD4300821	Pan head screw	2
57	PA1723200	Tension bracket (B)	1
58	PB2720400	Collar	1
59	MD4401021	Pan head screw	1
61	PC0740100	Spring (tension)	1
62	MA0301221	Pan head screw	1
63	MT1300522	Hex nut	1
64	PE8720300	Gear	1
65	PE3720100	Tension roller	2
66	PB2720600	Collar	3

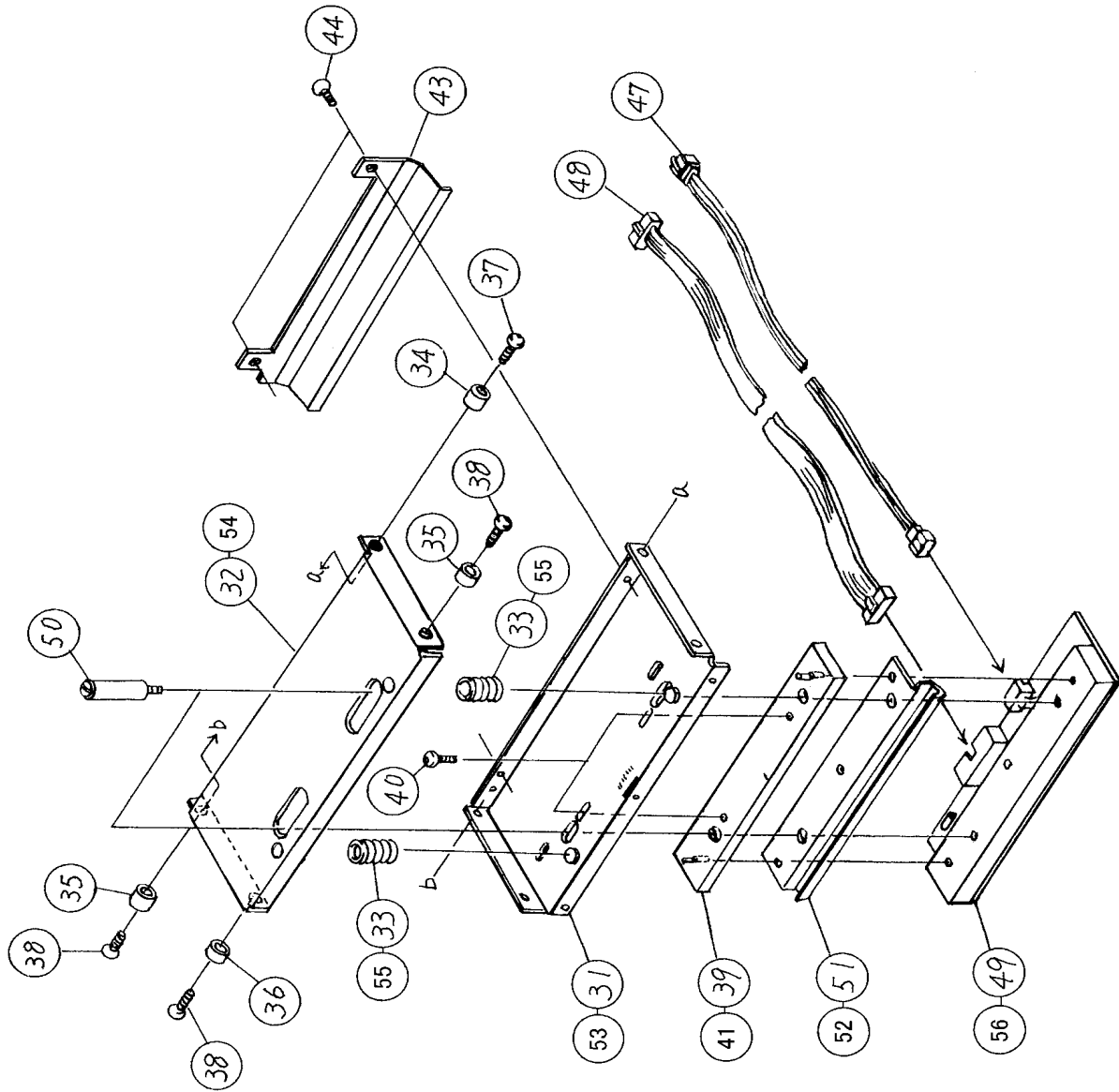
Frame Assembly

NO.	CODE	DESCRIPTION	QTY
67	MD4401421	Pan head screw	2
68	MD4401621	Pan head screw	1
69	PB0721100	Shaft (head)	1
70	PA0720100	Collar	1
71	NB0050022	Spring washer	1
72	MN1501030	Hex hole bolt	1
75	MA0301221	Pan head screw	2
76	MT1300522	Hex nut	2
77	MD3300622	Pan head screw	1
78	PA3730200	Sensor bracket (ribbon)	1
79	MD3300622	Pan head screw	1
80	PA1723500	Switch bracket	1
81	MD4300821	Pan head screw	1
84	PB0723800	Label guide shaft	1
85	MA0301221	Pan head screw	2
86	PT6720100	Cushioning rubber	1
87	MA0301221	Pan head screw	2
88	PB2720500	Collar	1
91	RH1721000	Ribbon sensor cord	1
92	MA0300622	Pan head screw	2
93	RH1721200	Head open sw cord	1
94	MD3201221	Pan head screw	2
96	RH1720500	Stepper Motor Assy	1
97	MD3401221	Pan head screw	3
98	RH1724100	Pitch sensor cord	1
99	MD3300622	Pan head screw	2
100	RH1721400	Paper end SW cord set	1
101	MD3201221	Pan head screw	2
102	MA0401421	Pan Screw	1
103	MT1400722	Hex nut	1
104	PC0720200	Spring (Tension)	1
106	PT8187064	Timing Belt (CL612)	1
107	PL1720500	Pulley (CL612)	2
108	MJ1300424	W-point screw	4

Print Head Assembly



Print Head Assembly



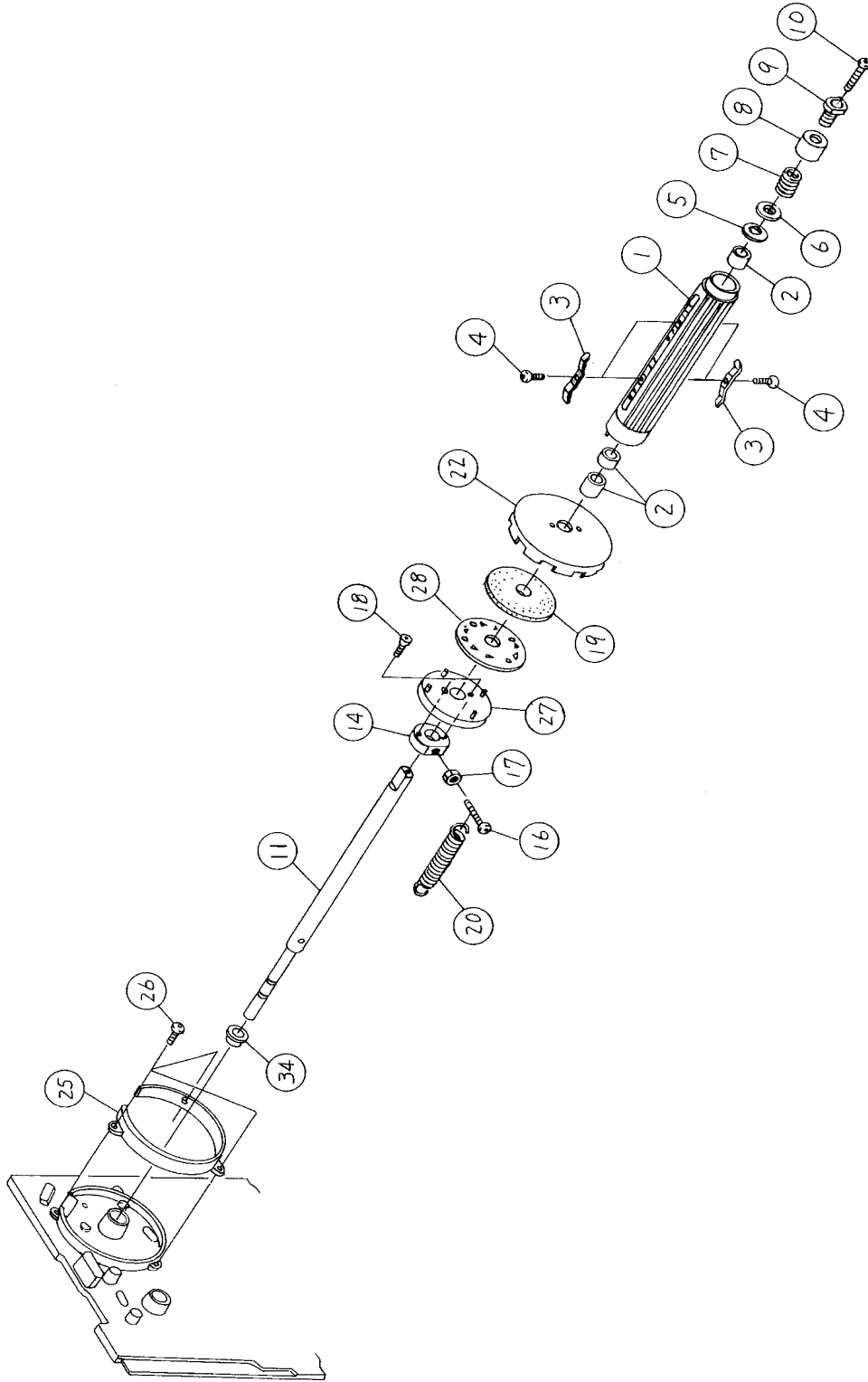
Print Head Assembly

NO.	CODE	DESCRIPTION	QTY
1	PA1721700	Head frame (LH)	1
2	MA0301221	Pan head screw	2
3	MT1300522	Hex nut	2
4	PA1721800	Head frame (RH)	1
5	PA1721200	Plate (adjust C)	1
6	PL2720100	Adjust collar	1
7	MD4300821	Pan head screw	2
9	PD1720400	Stay	1
10	MD3401021	Pan head screw	4
11	PA1721500	Support plate (B)	1
12	MD4300821	Pan head screw	2
13	PB2720100	Collar	2
14	MD3401021	Pan head screw	2
15	PR1720100	Roller	1
16	ND0060030	E-Ring	1
17	PR0720700	Feed roller	1
18	PL2720400	Bush	4
19	PE8720100	Gear	1
20	ND0040030	E-Ring	2
23	PE1720100	Cam (head pressure)	2
24	PB0720600	Shaft (head pressure)	1
25	ND0040030	E-Ring	2
26	PE1720200	Knob	1
27	PE6720500	Protector (B)	1
28	MD4300821	Pan head screw	1
29	PV9720100	Bush	1
30	PC0720100	Spring (open)	1

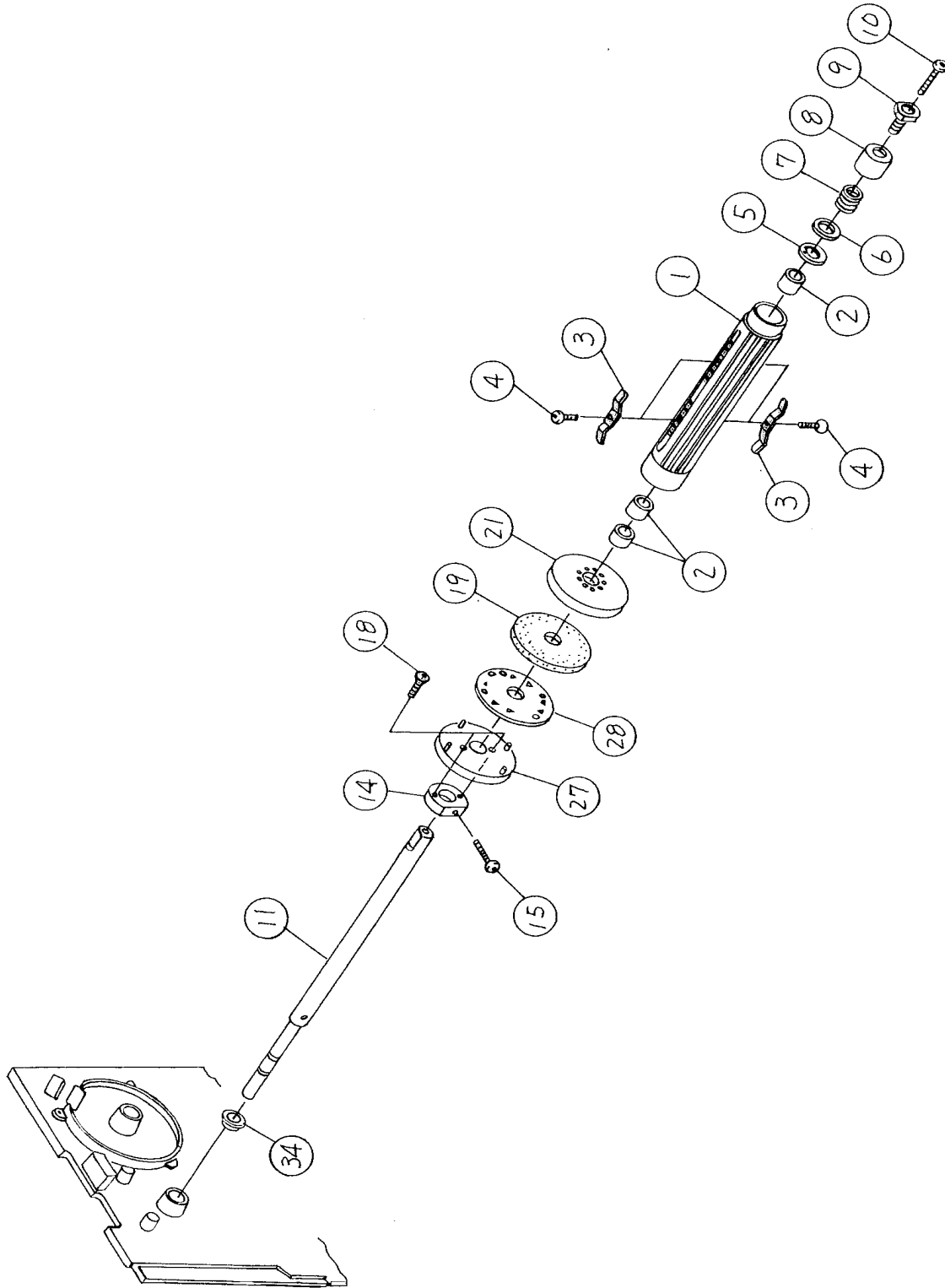
Print Head Assembly

NO.	CODE	DESCRIPTION	QTY
31	PA1727100	Head Bracket (A) (CL608)	1
32	PA1727200	Head Bracket (B) (CL608)	1
33	PC1720100	Spring (head) (CL608)	2
34	PB2720200	Collar	1
35	PB2720300	Collar	2
36	PB2720400	Collar	1
37	MD4402021	Pan head screw	1
38	MD4401021	Pan head screw	3
39	PR1720200	Head sub holder (CL608)	1
40	MD4300821	Pan head screw	2
41	PR1721400	Head sub holder(CL612)	1
43	PA1721400	Head cable cover	1
44	MD4300621	Pan head screw	2
45	PC1690201	Spring	2
46	MN1301630	Hex hole bolt	2
47	RH1727700	Power & Head Power Cord Set	1
48	RH1775201	Print Head Cable Assy	1
49	GH000661A	Print Head (CL608)	1
50	PB0723400	Post (Head)	2
51	PR4721000	Plate(Ribbon) (CL608)	1
52	PR4721100	Plate(Ribbon) (CL612)	1
53	PA1721900	Head bracket (A) (CL612)	1
54	PA1722000	Head bracket (B) (CL612)	1
55	PC1720400	Spring (head) (CL612)	2
56	GH000511A	Print Head (CL612)	1

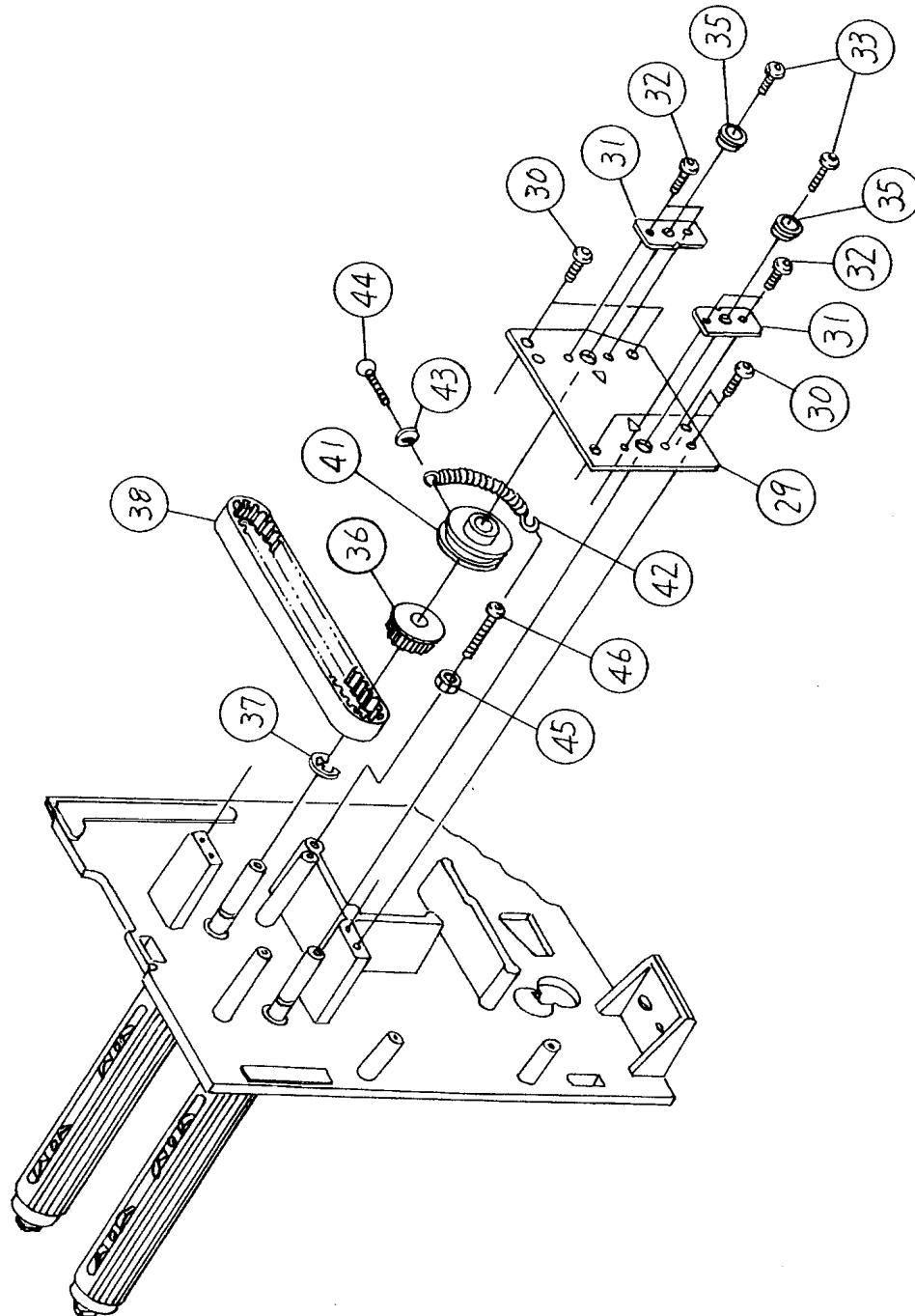
Ribbon Assembly



Ribbon Assembly



Ribbon Assembly



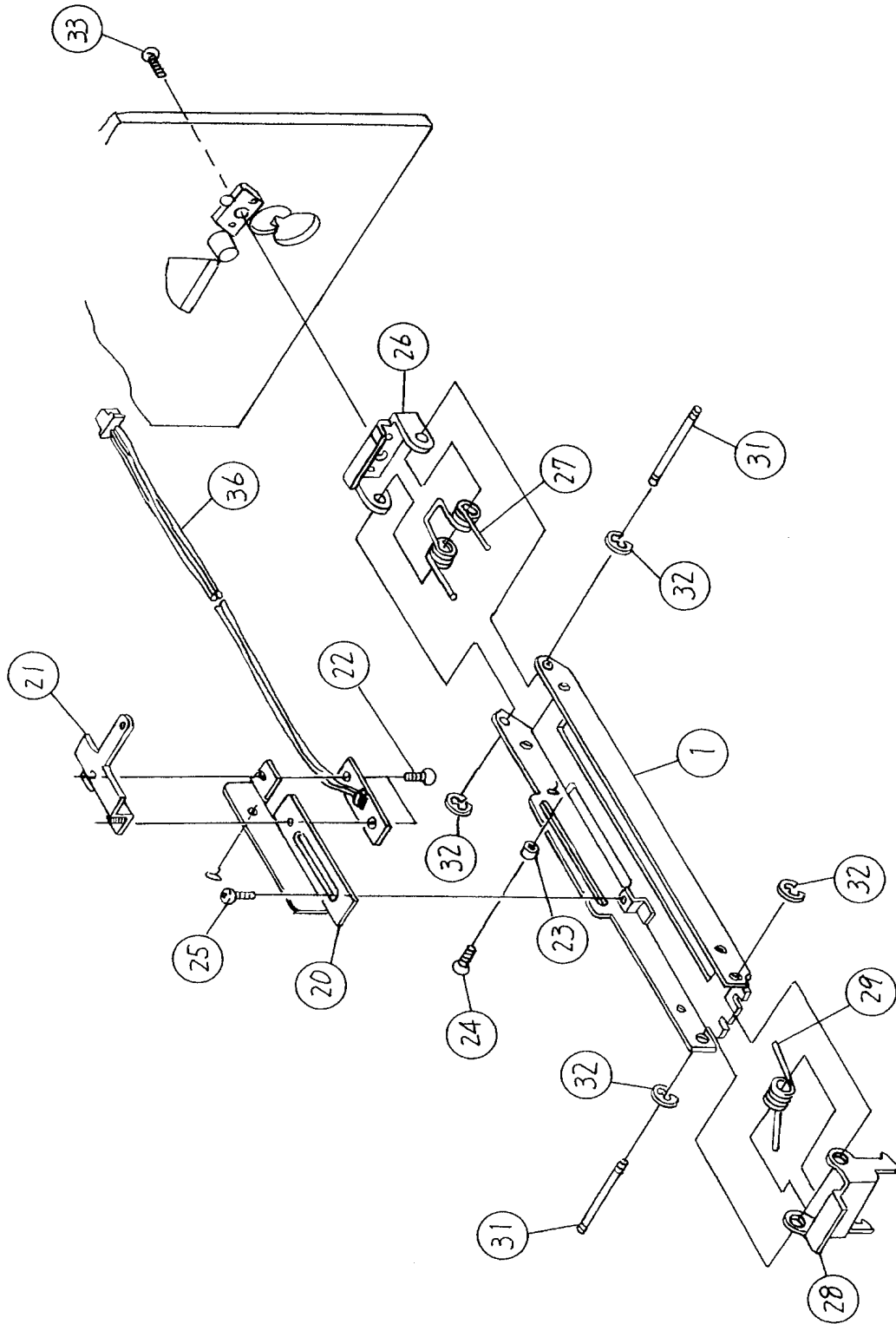
Ribbon Assembly

NO.	CODE	DESCRIPTION	QTY
1	PE4720100	Ribbon boss	2
2	PE2720100	Collor	6
3	PA4690900	Spring	8
4	MH0300521	P tight screw	8
5	PT2301020	Oilless dry metal	2
6	PA0680400	Disc	2
7	PC1730100	Spring	2
8	PE2730100	Stopper collar	2
9	PB5730100	Adjust screw	2
10	MA0303022	Pan head screw	2
11	PB0720400	Shaft (ribbon)	2
14	PE4720200	Plate holder boss	2
15	MA0301821	Pan head screw	1
16	MA0302522	Pan head screw	1
17	MT1300522	Hex nut	1
18	MH1250621	P-tight screw	4
19	PA0680300	Lining	2
20	PC0730100	Spring (back)	1
21	PE1681100	Guide plate (B)	1
22	PE7720100	Disc plate (A)	1
25	PE6720100	Disc plate cover	1
26	MD4300821	Pan head screw	3
27	PA0730100	Guide plate	2
28	PA0730200	Hold plate	2
29	PA1720700	Ribbon frame	1
30	MD4400821	Pan head screw	5
31	PA1731000	Adjust plate	2
32	MD4300621	Pan head screw	4
33	MD4400821	Pan head screw	2
34	PT1114080	Ball supporter	2
35	PT1112080	Ball supporter	2
36	PR1720400	Pulley	1
37	ND0060030	E-Ring	1
38	PT8131064	Timing belt	1

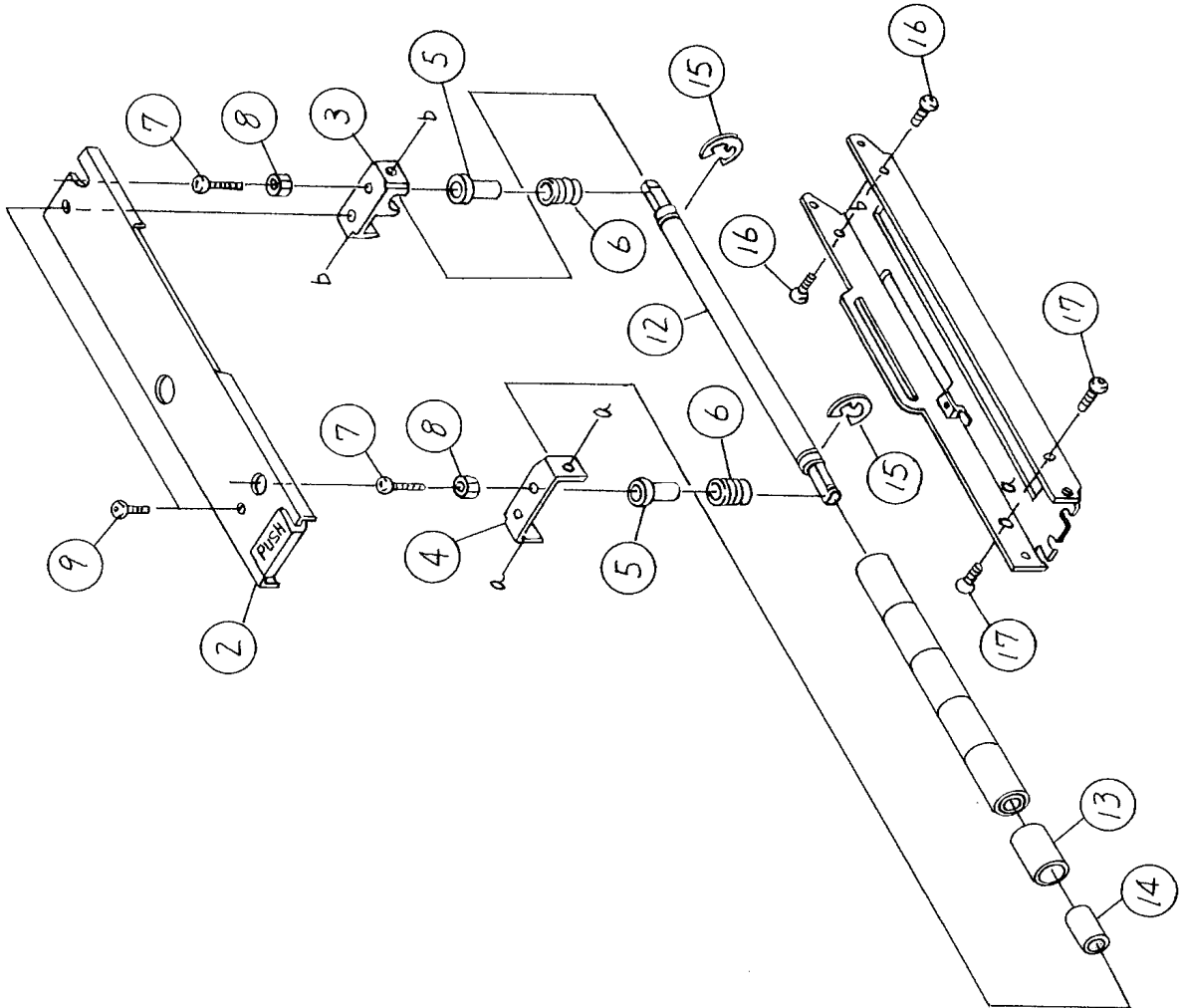
Ribbon Assembly

NO.	CODE	DESCRIPTION	QTY
41	PR1770100	Pulley	1
42	PC0760500	Spring (ribbon)	1
43	NA1030022	Plain washer	1
44	MH0300821	P tight screw	1
45	MT1400722	Hex nut	1
46	MD3401221	Pan head screw	1

Feed Roller Assembly

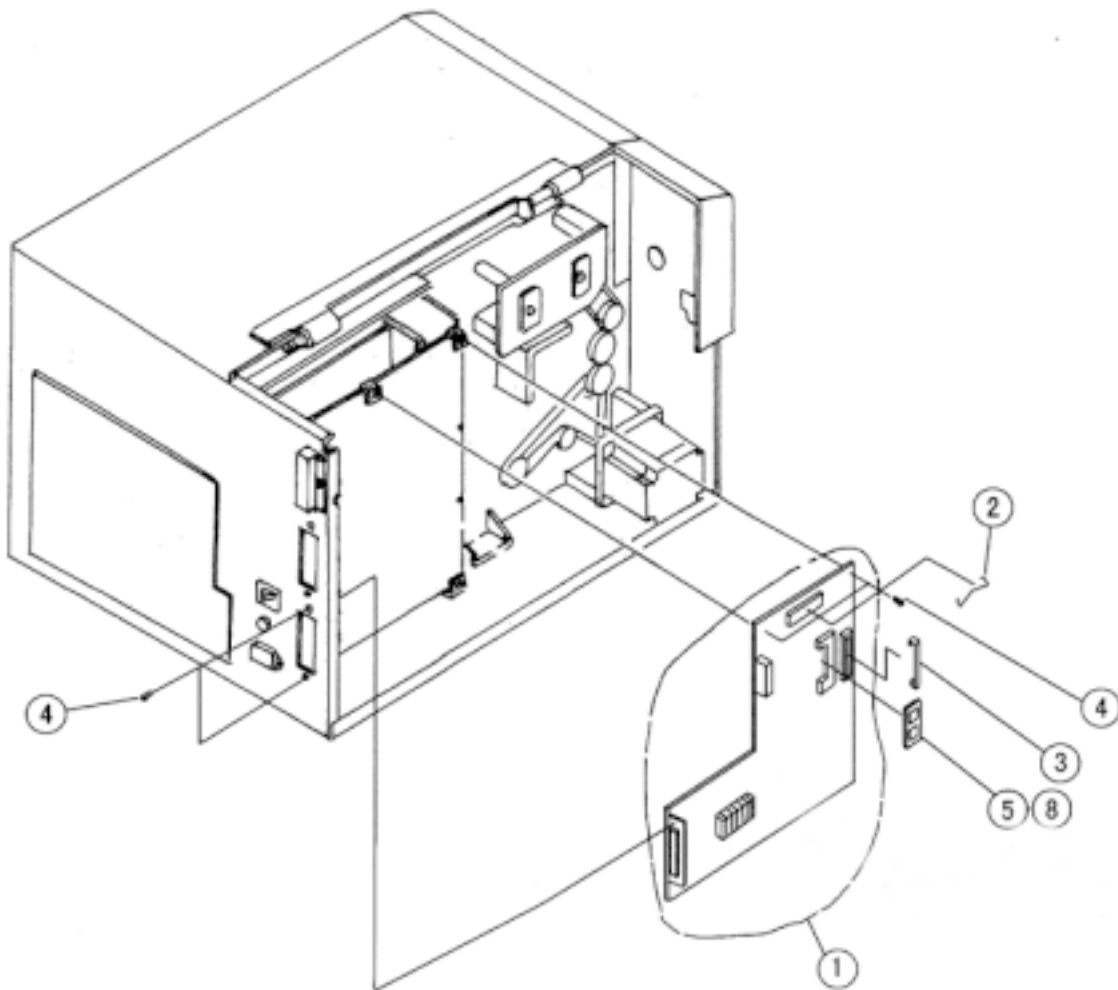


Feed Roller Assembly



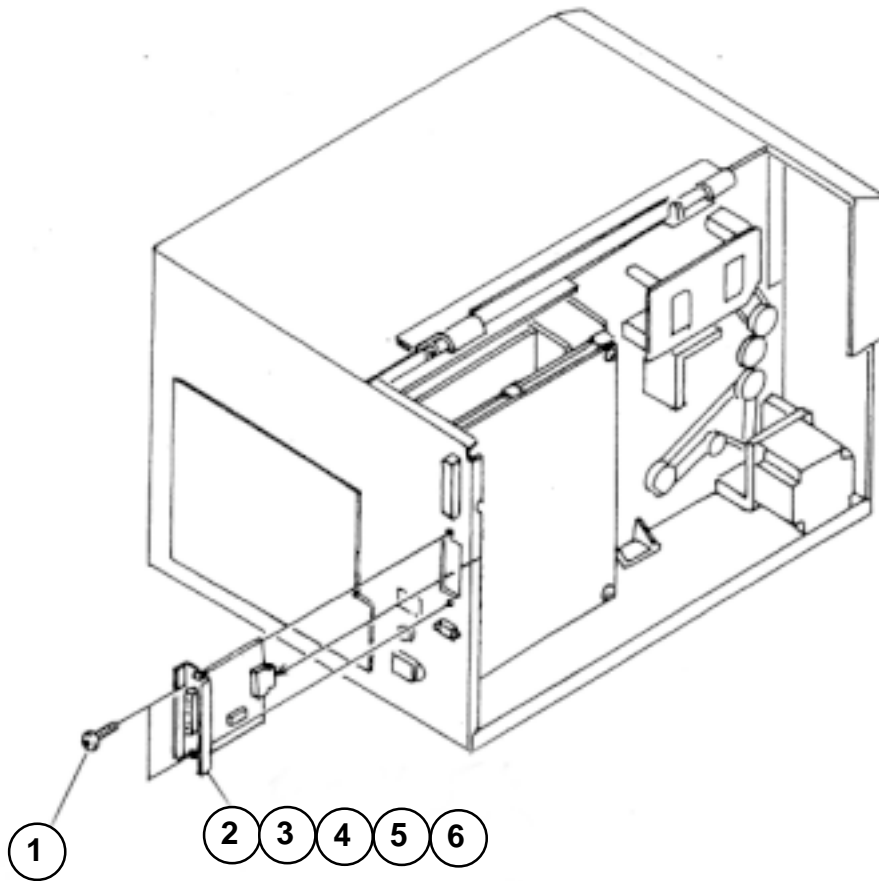
Feed Roller Assembly

NO.	CODE	DESCRIPTION	QTY
1	PR3720500	Paper lid	1
2	PR4721300	Paper lid cover	1
3	PA1720400	Roller bracket (A)	1
4	PA1720500	Roller bracket (B)	1
5	PE2730300	Stopper collar	2
6	PC1720601	Spring (pressure)	2
7	MA0301221	Pan head screw)	2
8	MT1300522	Hex nut)	2
9	MD4300821	Pan head screw)	2
12	PB0720500	Shaft (pressure)	1
13	PE3720200	Roller	6
14	PE3720500	Roller	6
15	ND0040030	E-Ring	2
16	MD4300821	Pan head screw	2
17	MA7300625	Truss screw	2
20	PV3720100	PCB bracket (A)	1
21	PA1729400	PCB Bracket (D)	1
22	MA0300622	Pan head screw	2
23	PB2720800	Collar	1
24	MJ9300622	Thin head screw	1
25	MD4300821	Pan head screw)	1
26	PA1720300	Lid bracket	1
27	PC2740200	Spring (open)	1
28	PA3742100	Latch handle	1
29	PC2740300	Spring (latch)	1
31	PB0741100	Shaft (lid)	2
32	ND0020030	E-Ring	4
33	MD4401621	Pan head screw	1
36	RH1724300	Pitch sensor cord(SEN2)	1

Main PCB Assembly

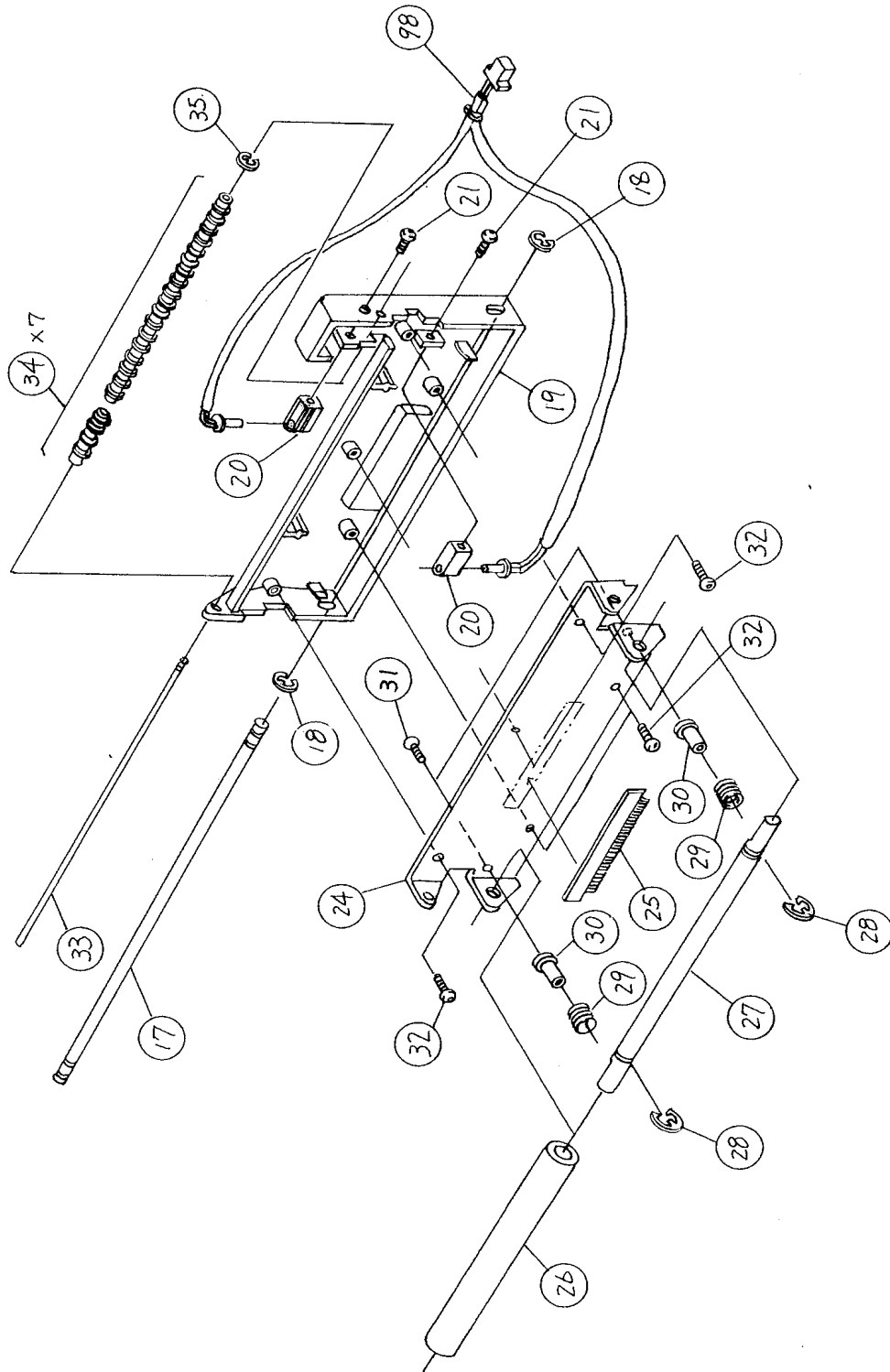
NO.	CODE	DESCRIPTION	QTY
1	RJ1771200	Main PCBA	1
2	PC9730100	Spring (Lock)	1
3	PA3739900	Connector lock	1
4	MD4300621	Pan head screw	5
5	RJ7770200	Memory PCB Assy-B	1
8	RJ7770300	Memory PCB (4 MB Memory Option)	1

Interface Option

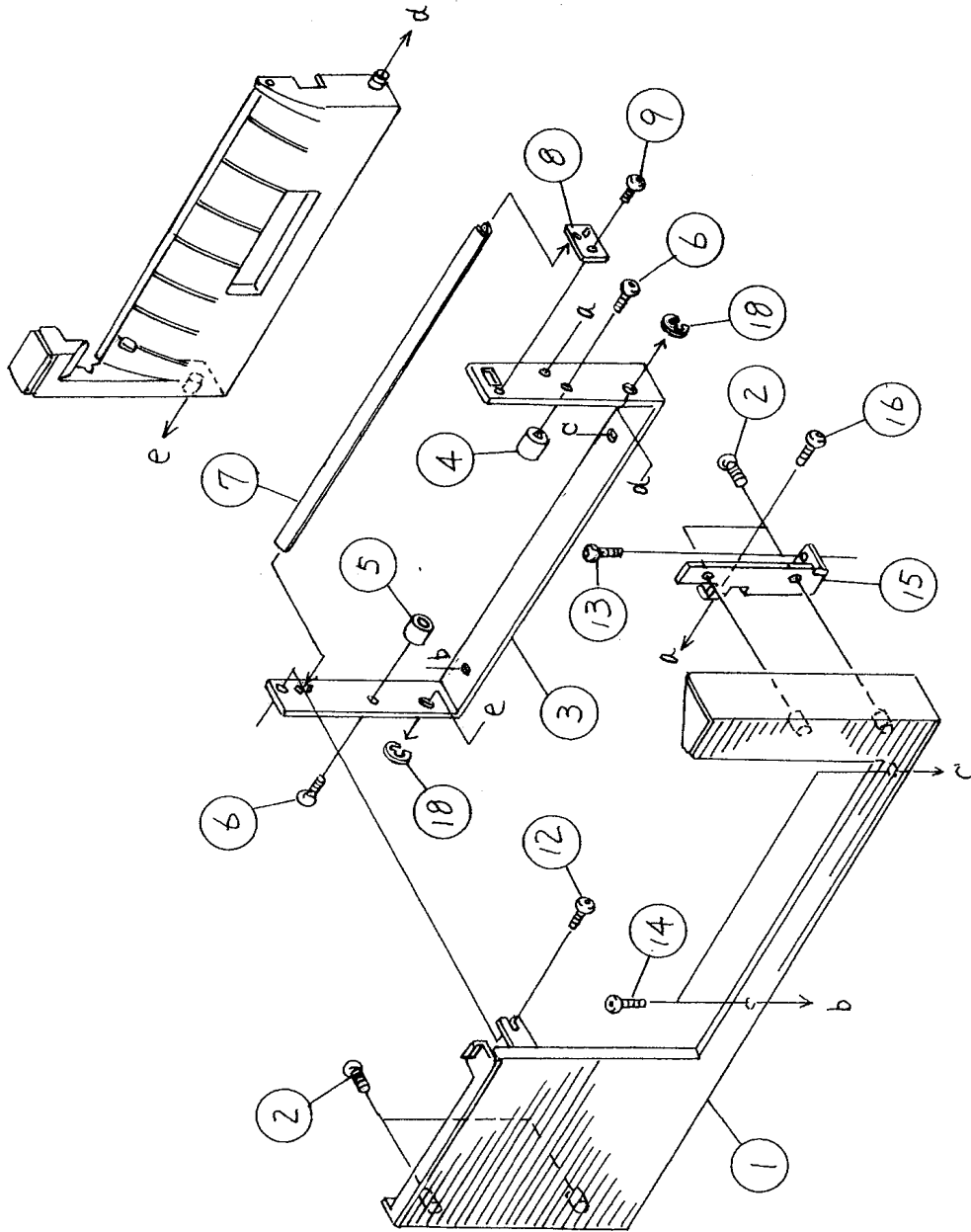


NO.	CODE	DESCRIPTION	QTY
1	MD3300622	Screw	2
2	WCL404070	IEEE-1284 Parallel Interface	1
3	WCL404051	Serial Interface	1
4	WCL404060	USB Interface	1
5	11S000158	Ethernet Interface	1
6	11S000136	CX/TX Interface	1

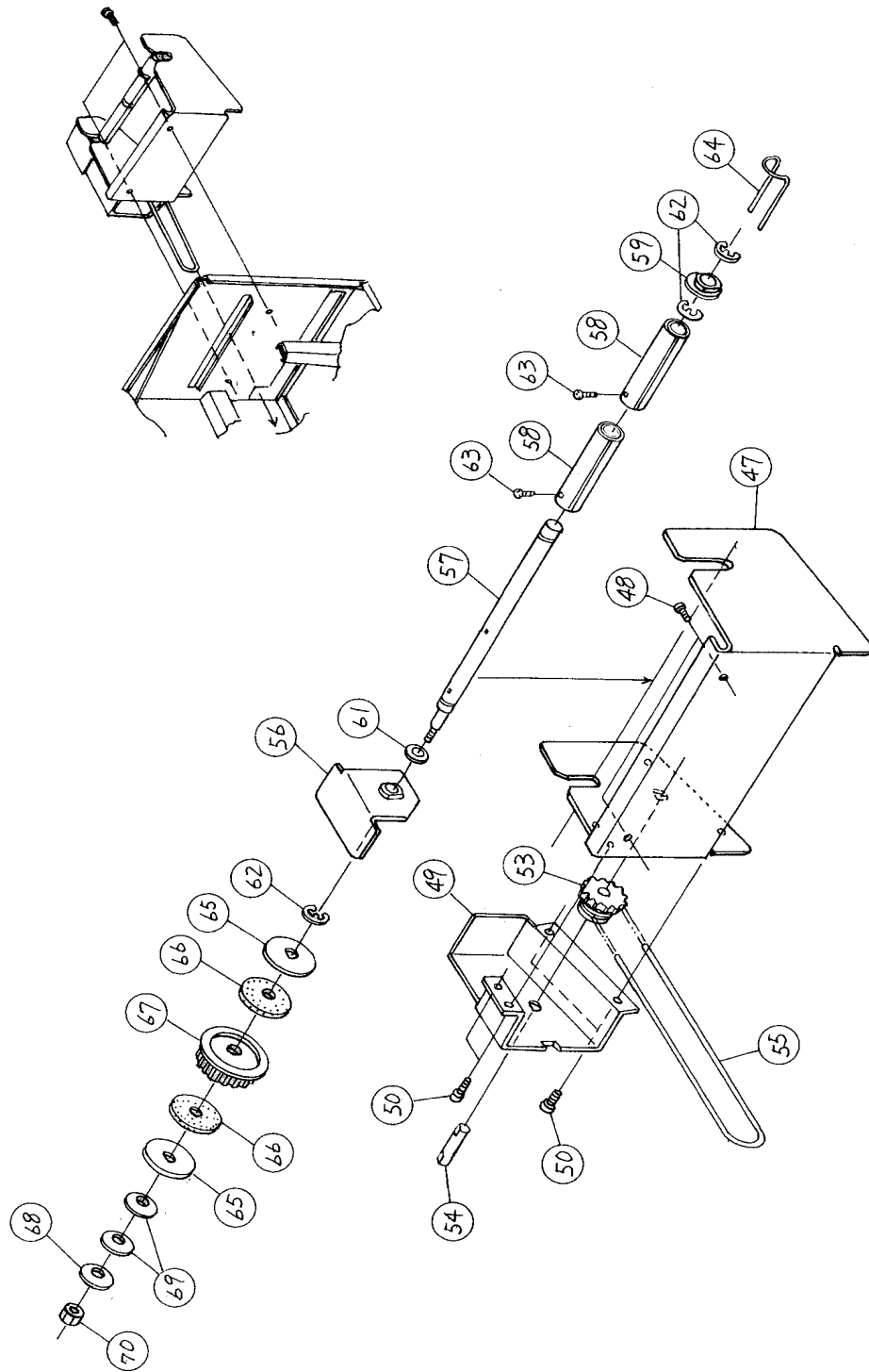
Dispenser Assembly Option



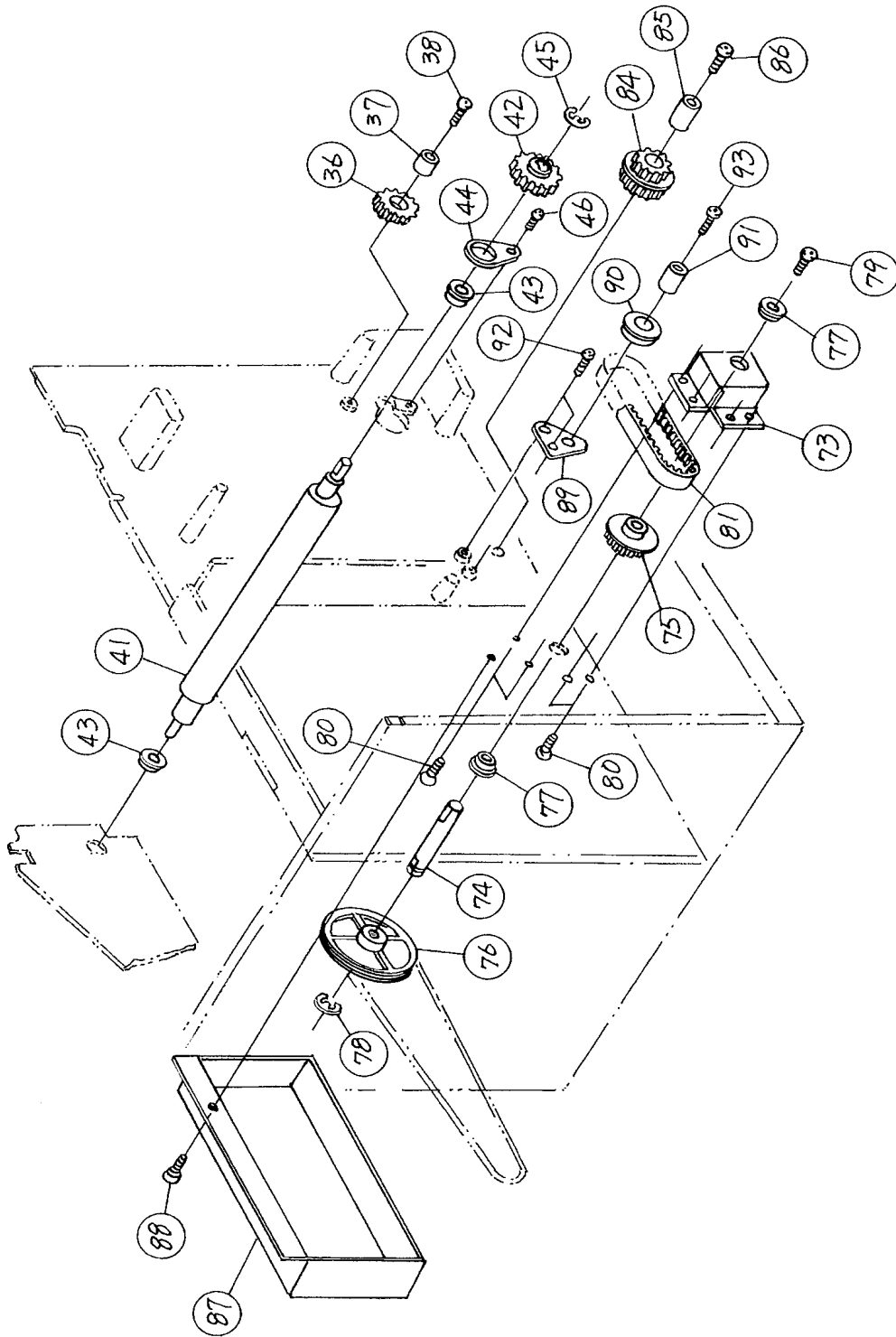
Dispenser Assembly Option



Dispenser Assembly Option



Dispenser Assembly Option



Dispenser Assembly Option

NO.	CODE	DESCRIPTION	QTY
1	PH0720400	Dispense cover	1
2	MH0300821	P tight screw	4
3	PA1724701	Dispense frame	1
4	PB0721600	Post (latch) RH	1
5	PB0721700	Post (latch) LH	1
6	MD4300621	Pan head screw	2
7	PA1724600	Dispense bar	1
8	PA1724500	Adjust plate	1
9	MD4300621	Pan head screw	1
12	MD4301021	Pan head screw	1
13	MD4300821	Pan head screw	1
14	MA7300625	Truss screw	2
15	PA1724800	Dispense cover bracket	1
16	MD4300621	Pan head screw	1
17	PB0721400	Shaft (Guide)	1
18	ND0030030	E-Ring	4
19	PE1720400	Dispense bracket	1
20	PE1570300	Dispense sensor bracket	2
21	MH0250621	P-tight screw	2
24	PA1724400	Roller bracket	1
25	PR1340500	Brush	1
26	PR1520200	Pressure roller sub assy	1
27	PB0721200	Shaft (Pressure roller)	1
28	ND0040030	E-Ring	2
29	PC1010200	Head spring	2
30	PE2730300	Stopper collar	2

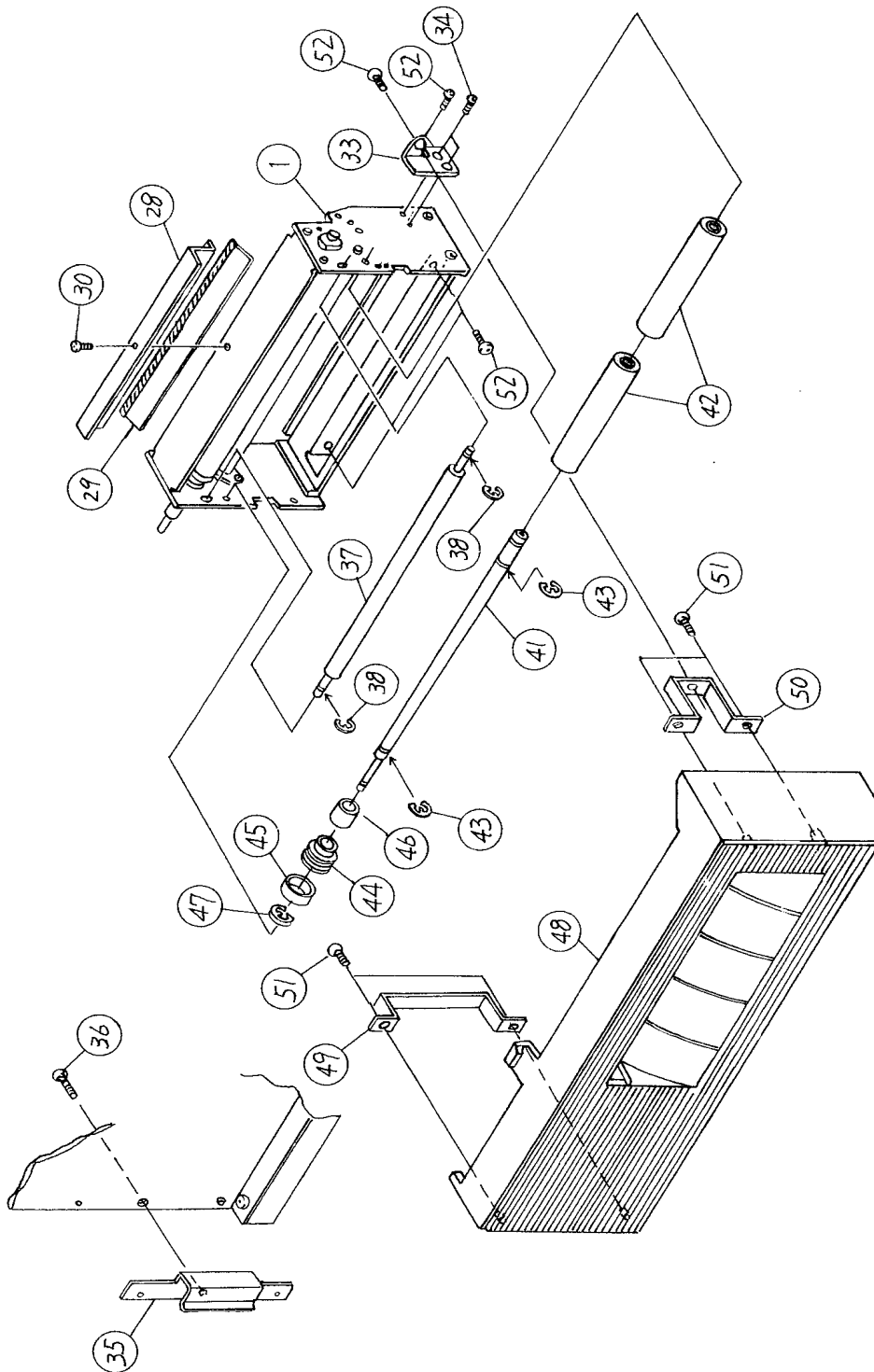
Dispenser Assembly Option

NO.	CODE	DESCRIPTION	QTY
31	MD4300821	Pan head screw	2
32	MH0300821	P tight screw	5
33	PB0721300	Shaft (Dispense roller)	1
34	PE3520600	Dispense roller	7
35	ND0020030	E-Ring	1
36	PE8720800	Gear	1
37	PB2720100	Collar	1
38	MD4401421	Pan head screw	1
41	PR0720300	Feed roller	1
42	PE8720700	Gear	1
43	PT1112060	Ball supporter	2
44	PA1680200	Ball supporter clamp	1
45	ND0040030	E-Ring	1
46	MD4300821	Pan head screw	1
47	PA1725200	Rewind frame	1
48	MD4300821	Pan head screw	2
49	PA1725100	Side frame	1
50	MD4300621	Pan head screw	4
53	PE8721000	Gear pulley	1
54	PB0721800	Shaft (Idle gear)	1
55	PR4720600	Rewind belt	1
56	PR1720700	Rewind handle	1
57	PB0721900	Shaft (rewind)	1
58	PB4720100	Rewind core	2
59	PL2720200	Bush	1

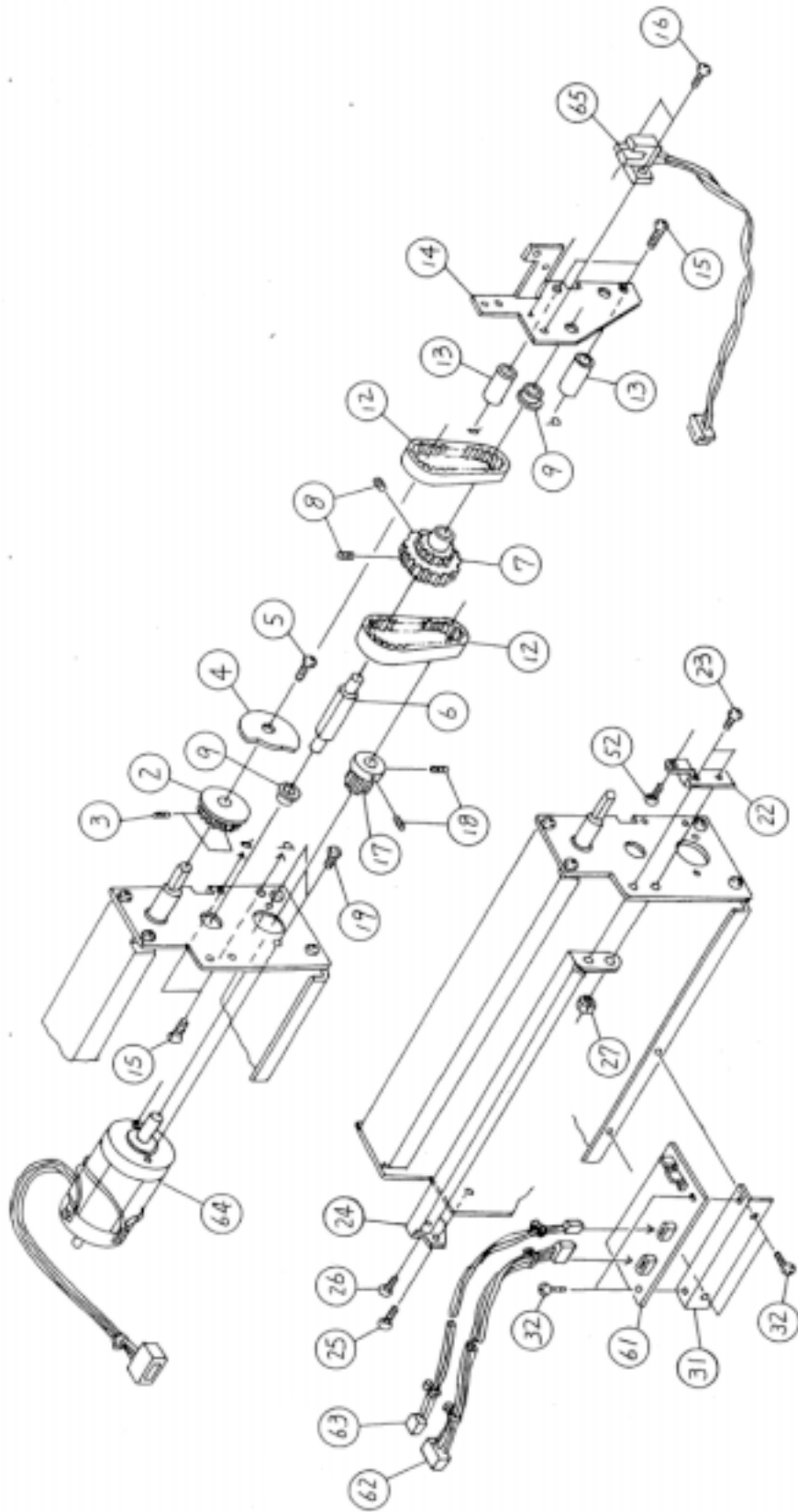
Dispenser Assembly Option

NO.	CODE	DESCRIPTION	QTY
61	NA0060022	Plain washer	2
62	ND0040030	E-Ring	3
63	MD4301221	Pan head screw	2
64	PC3720100	Rewind knob	1
65	PA1724900	Flange	2
66	PJ4720100	Facing	2
67	PE8721100	Gear	1
68	PB9720100	Adjust nut	1
69	NB5100030	Spring	2
70	MT1400722	Hex nut	1
73	PA1725300	Idle shaft bracket	1
74	PB0722000	Shaft (Idle gear)	1
75	PE8721200	Pulley	1
76	PE8520500	Rewind pulley	1
77	PT1112060	Ball supporter	2
78	ND0040030	E-Ring	1
79	MD4300621	Pan head screw	1
80	MD4300621	Pan head screw	4
81	PT8095064	Timing belt	1
84	PE8720900	Gear pulley	1
85	PB2720200	Collar	1
86	MD4402221	Pan head screw	1
87	PA1725400	Belt cover	1
88	MD4300621	Pan head screw	1
89	PA1723100	Tension bracket (A)	1
90	PE3720100	Tension roller	1
91	PB2720600	Collar	1
92	MD4300821	Pan head screw	2
93	MD4401421	Pan head screw	1
98	RH1721100	Dispense sensor cord	1

Cutter Assembly Option



Cutter Assembly Option



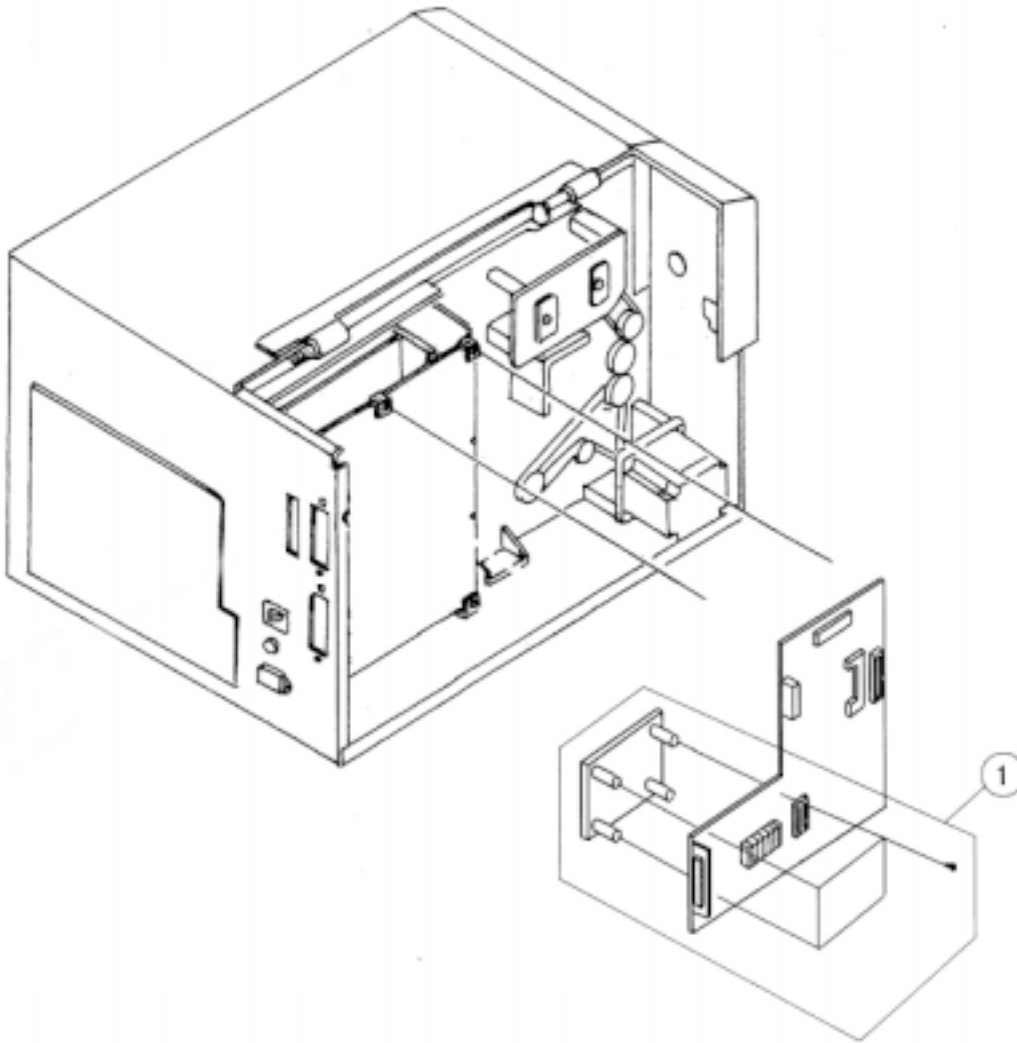
Cutter Assembly Option

NO.	CODE	DESCRIPTION	QTY
1	PR1720800	Cutter set	1
2	PR1691401	Cutter pulley	1
3	MJ1300424	W-point screw	2
4	PA1725500	Sensor slit	1
5	MD4300621	Pan head screw	1
6	PB0722200	Shaft (Idle gear)	1
7	PL1720700	Pulley	1
8	MJ1300424	W-point screw	2
9	PT1107030	Ball supporter	2
12	PU3112060	Timing belt	2
13	PB0722100	Post (Idle gear)	2
14	PA1725600	Sensor bracket	1
15	MD4300821	Pan head screw	4
16	MD3300621	Pan head screw	2
17	PL1720300	Motor pulley	1
18	MJ1300424	W-point screw	2
19	MD4300821	Pan head screw	2
22	PA1725700	Cover bracket (A)	1
23	MD4301021	Pan head screw	2
24	PA1728500	Cutter protect (B)	1
25	MD4300621	Pan head screw	1
26	MD3401021	Pan head screw	1
27	MT1300521	Hex nut	2
28	PA1726200	Cutter protect (A)	1
29	PA6720200	Cutter plate	1
30	MD3300621	Pan head screw	1

Cutter Assembly Option

NO.	CODE	DESCRIPTION	QTY
31	PA1726000	PCB bracket	1
32	MD3300621	Pan head screw	4
33	PA2720700	Cover Bracket (E)	1
34	MD4300621	Pan head screw	2
35	PA2720500	Cover BR(E)	1
36	MD4301021	Pan head screw	1
37	PB0722300	Feed roller (Cutter)	1
38	ND0020030	E-Ring	2
41	PB0722400	Shaft (Feed roller)	1
42	PR1720900	Roller (Cutter)	2
43	ND0050030	E-Ring	2
44	PE8721400	Pulley	1
45	PV9720700	Rubber-Ring	1
46	PB2720700	Collar	1
47	ND0020030	E-Ring	1
48	PR1721000	Cover (Cutter)	1
49	PA2720400	Cover Bracket (D)	1
50	PA2720800	Cover Bracket (G)	1
51	MH0300821	P tight screw	4
52	MD4301021	Pan head screw	5
61	RJ1723500	Cutter PCB set	1
62	RH1727501	CutterPower Cord Set	1
63	RH1727800	Cutter Cable Set	1
64	RH1722200	Cutter Motor with cord	1
65	RH1722300	Cutter sensor cord	1

PCMCIA Memory Option



NO.	CODE	DESCRIPTION	QTY
1	RJ4770100	PCMCIA Memory Option	1

NOTE: PCMCIA Memory Card not included with the option.